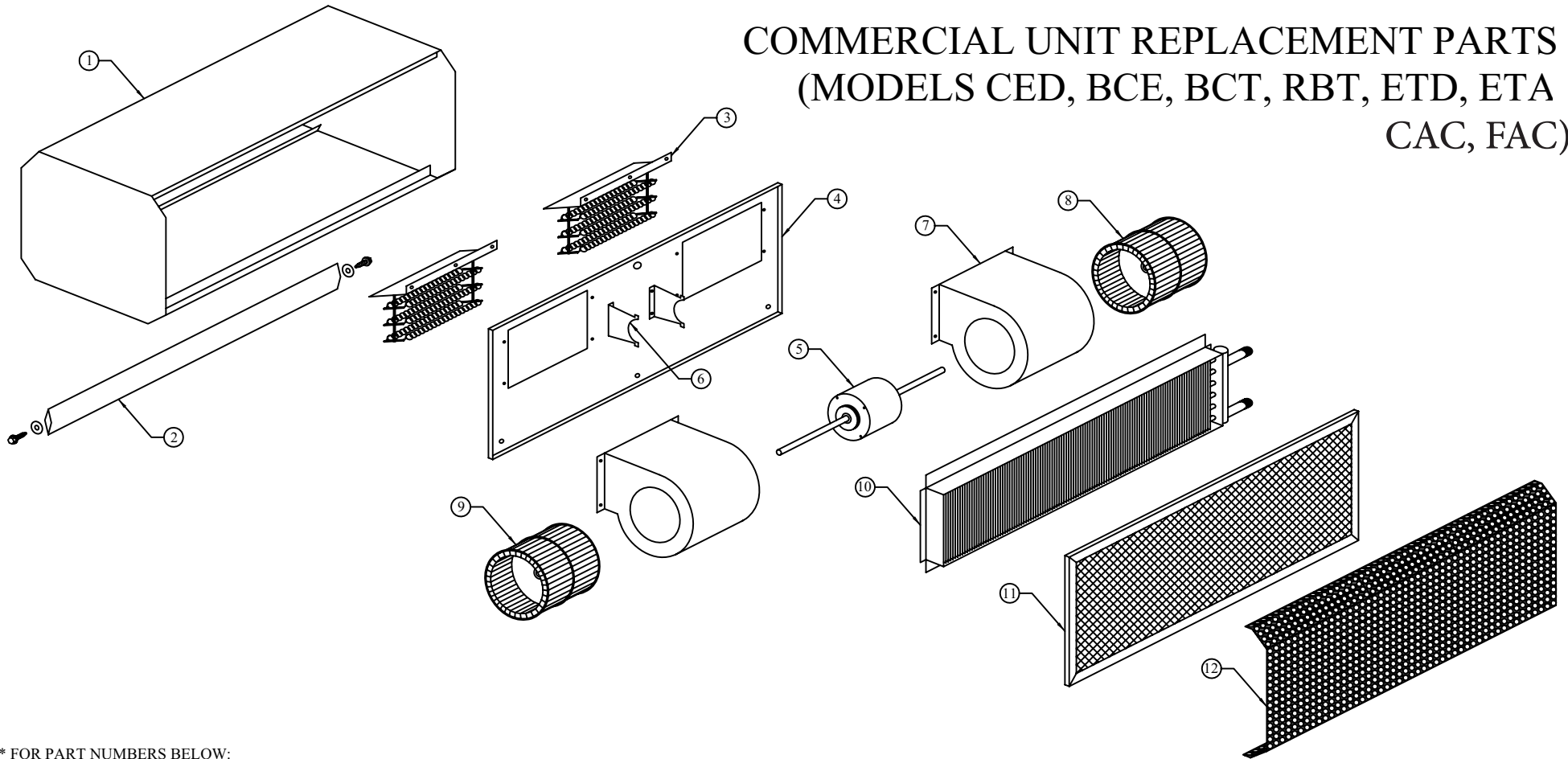


# COMMERCIAL UNIT REPLACEMENT PARTS (MODELS CED, BCE, BCT, RBT, ETD, ETA CAC, FAC)



\* FOR PART NUMBERS BELOW:

REPLACE XXX WITH THE UNIT SIZE - 036, 042, 048, 060, 072, 084, 096, 108, OR 120

REPLACE YYY WITH THE MODEL - CED, BCE, BCT, OR ETD

ITEM #	DESCRIPTION	PART #
1	OUTER CASE	CMCAS-XXX
2	STEERING VANE	CMSV-XXX
3	ELECTRIC HEATER (208 VOLT, DOUBLE COIL)	21-3307-00
3	ELECTRIC HEATER (240 VOLT, DOUBLE COIL)	21-3307-01
3	ELECTRIC HEATER (480 VOLT, DOUBLE COIL)	21-3307-02
3	ELECTRIC HEATER (575 VOLT, DOUBLE COIL)	21-3307-03
3	ELECTRIC HEATER (208 VOLT, SINGLE COIL)	21-3317-00
3	ELECTRIC HEATER (240 VOLT, SINGLE COIL)	21-3317-01
3	ELECTRIC HEATER (480 VOLT, SINGLE COIL)	21-3317-02
3	ELECTRIC HEATER (575 VOLT, SINGLE COIL)	21-3317-03
4	MOTOR / BLOWER PLATE	MBPLATE-XXX

ITEM #	DESCRIPTION	PART #
5	MOTOR (120 VOLT, SINGLE PHASE)	7124-120-YYY
5	MOTOR (208/230 VOLT, SINGLE PHASE)	7124-230-YYY
5	MOTOR (480 VOLT, SINGLE PHASE)	7124-480-YYY
5	MOTOR (575 VOLT, SINGLE PHASE)	7124-575-YYY
6	MOTOR MOUNT (FOR SINGLE PHASE MOTOR)	2120-051
7	BLOWER HOUSING	CMBLR-HS
8	BLOWER WHEEL (RIGHT)	CMBLR-WH-R
9	BLOWER WHEEL (LEFT)	CMBLR-WH-L
10	HOT WATER / STEAM COIL	CONSULT FACTORY
11	FILTER	CMFLT-XXX
12	SCREEN	CMSCR-XXX

**POWERED AIR**™ INC.  
109 Mortensen Rd. Greenville, PA 16125



DATE: 10/01/15

DRAWN BY: B.K.J.

POWERED AIR SYSTEMS  
COMMERCIAL REPLACEMENT PARTS