

Note:

The air curtain should be mounted as close to the door header/opening as possible for maximum performance. For every one inch the bottom of the air curtain is mounted above the door header, the back side of air curtain should be moved away from the wall 1/2 inch.

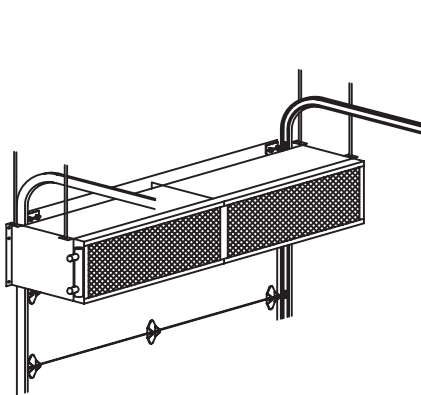
Mounting Option 1:

Top Mount - Unit has four 15/32 inch holes for installing one end of 7/16" threaded rods. The other ends of the threaded rods can be attached to the ceiling. Washers and lock washers or locknuts are recommended. Mounting structure should be of sufficient strength to hold air curtain, and hardware (supplied by others) should be of sufficient strength and quality to support the unit safely.

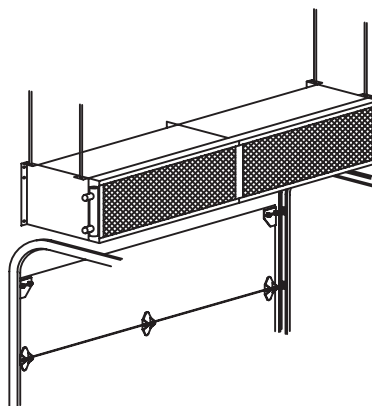
* Threaded rod is by others

Mounting Option 2:

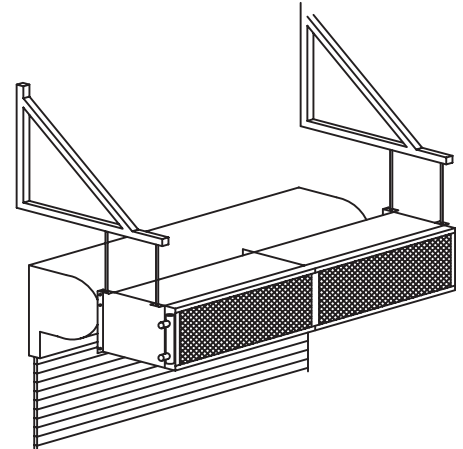
Wall Mount - Rear flanges of air curtain have six holes, for six 7/16 inch bolts or lags with washers. When wall mounting use all six holes.



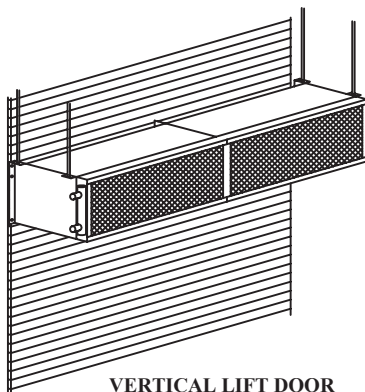
HIGH TURN-BACK TRACK DOOR



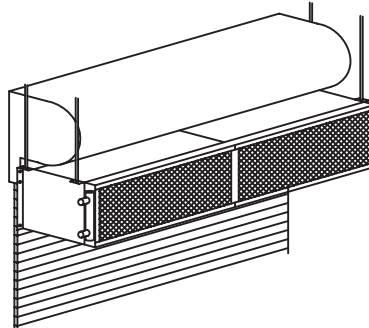
LOW TURN-BACK TRACK DOOR



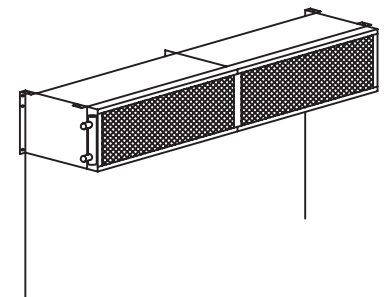
LOW ROLL-UP DOOR



VERTICAL LIFT DOOR



HIGH ROLL-UP DOOR



WALL MOUNT