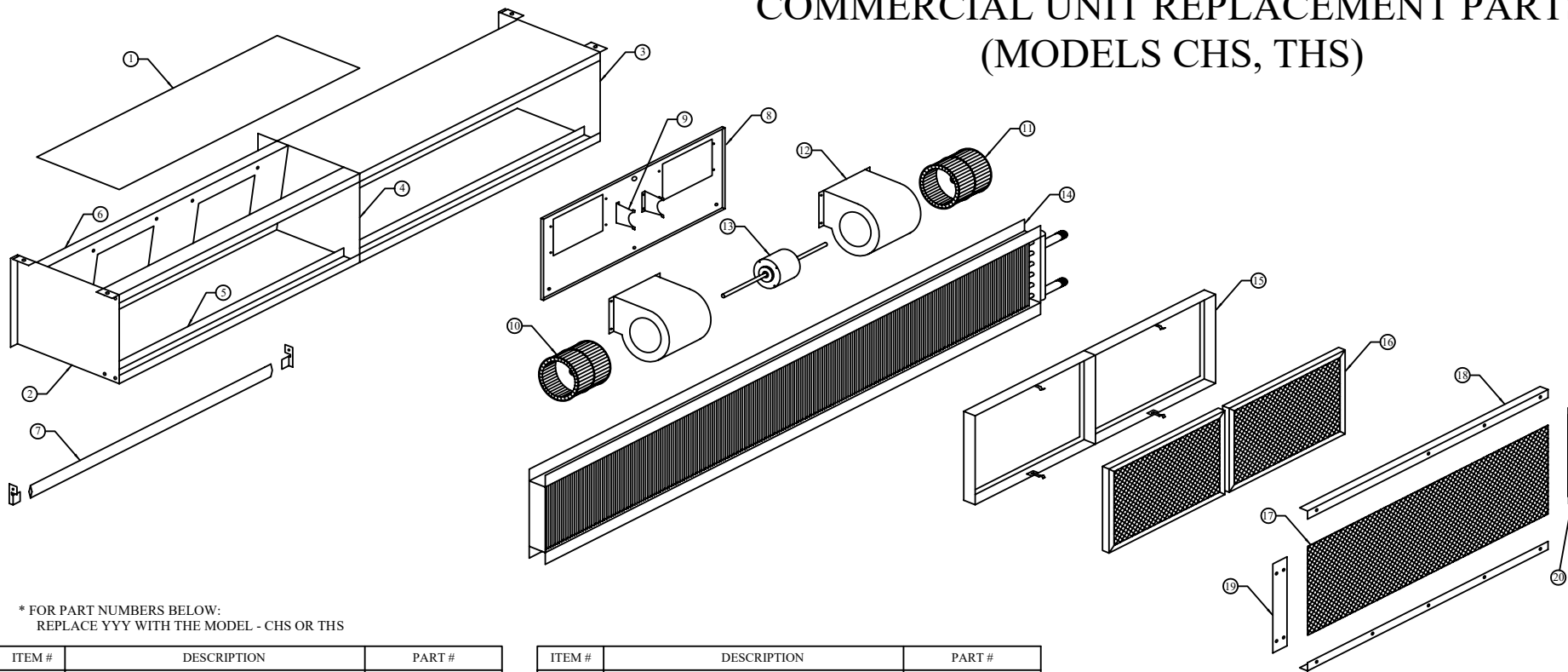



COMMERCIAL UNIT REPLACEMENT PARTS (MODELS CHS, THS)



* FOR PART NUMBERS BELOW:
REPLACE YYY WITH THE MODEL - CHS OR THS

ITEM #	DESCRIPTION	PART #
1	36" TOP / BOTTOM PANEL	CMCL-36-TBPL
1	48" TOP / BOTTOM PANEL	CMCL-48-TBPL
1	60" TOP / BOTTOM PANEL	CMCL-60-TBPL
2	LEFT SIDE PANEL	CMCL-SDPL-L
3	RIGHT SIDE PANEL	CMCL-SDPL-R
4	INTERIOR SIDE PANEL	CMCL-ISPL
5	36" STRUT	CMCL-36-STRT
5	48" STRUT	CMCL-48-STRT
5	60" STRUT	CMCL-60-STRT
6	36" PLENUM	CMCL-36-PLSA
6	48" PLENUM	CMCL-48-PLSA
6	60" PLENUM	CMCL-60-PLSA
7	36" STEERING VANE ASSEMBLY	CMCL-36-SVA
7	48" STEERING VANE ASSEMBLY	CMCL-48-SVA
7	60" STEERING VANE ASSEMBLY	CMCL-60-SVA
8	MOTOR / BLOWER PLATE	CMCL-MTPL
9	MOTOR MOUNT (FOR SINGLE PHASE MOTOR)	2120-051
10	BLOWER WHEEL (LEFT)	CMBLR-WH-L
11	BLOWER WHEEL (RIGHT)	CMBLR-WH-R
12	BLOWER HOUSING	CMBLR-HS

ITEM #	DESCRIPTION	PART #
13	MOTOR (120 VOLT, SINGLE PHASE)	7124-120-YYY
13	MOTOR (208/230 VOLT, SINGLE PHASE)	7124-230-YYY
13	MOTOR (480 VOLT, SINGLE PHASE)	7124-480-YYY
13	MOTOR (575 VOLT, SINGLE PHASE)	7124-575-YYY
14	HOT WATER / STEAM COIL	CONSULT FACTORY
15	18" FILTER FRAME	CMCL-FLT-18
15	24" FILTER FRAME	CMCL-FLT-24
15	30" FILTER FRAME	CMCL-FLT-30
16	18" FILTER	CMCL-FLT-18
16	24" FILTER	CMCL-FLT-24
16	30" FILTER	CMCL-FLT-30
17	36" INTAKE SCREEN	CMCL-36-SCRN
17	48" INTAKE SCREEN	CMCL-48-SCRN
17	60" INTAKE SCREEN	CMCL-60-SCRN
18	36" TOP / BOTTOM SCREEN SUPPORT	CMCL-36-TBSB
18	48" TOP / BOTTOM SCREEN SUPPORT	CMCL-48-TBSB
18	60" TOP / BOTTOM SCREEN SUPPORT	CMCL-60-TBSB
19	CENTER SCREEN SUPPORT	CMCL-SOCS
20	SIDE SCREEN SUPPORT	CMCL-SSBR

POWERED AIR™ INC. 
109 Mortensen Rd. Greenville, PA 16125

DATE: 10/01/13
DRAWN BY: B.K.J.

POWERED AIR SYSTEMS
MODEL CHS/THS
REPLACEMENT PARTS