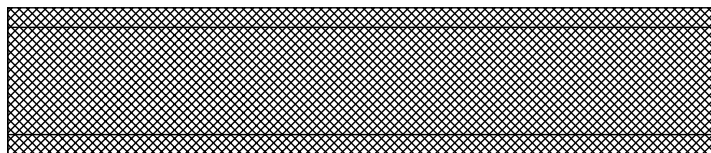
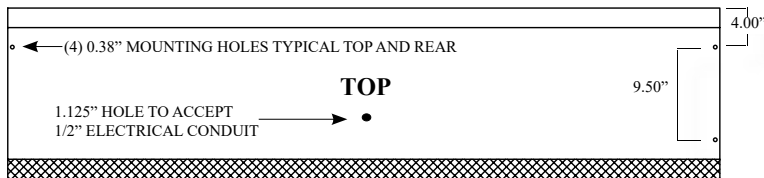
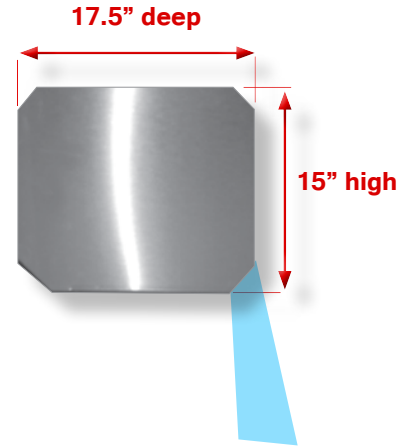
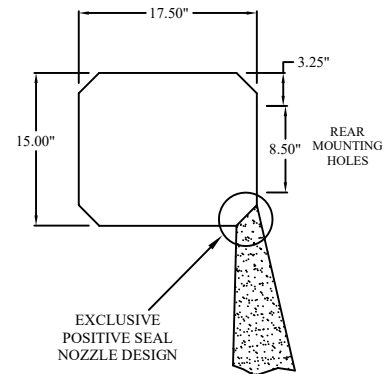
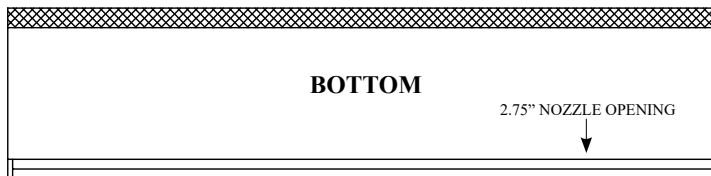




Widths ranging from 36" to 12' in one single unit. Contact factory for additional widths.



FRONT



| MODEL NUMBER   | ETD-1-36 (E) | ETD-1-42 (E) | ETD-1-48 (E) | ETD-1-60 (E) | ETD-2-60 (E) | ETD-2-72 (E) | ETD-2-84 (E) | ETD-2-96 (E) | ETD-3-108 (E) | ETD-3-120 (E) | ETD-3-132 (E) | ETD-4-144 (E) |
|----------------|--------------|--------------|--------------|--------------|--------------|--------------|--------------|--------------|---------------|---------------|---------------|---------------|
| OVERALL WIDTH  | 37           | 43           | 49           | 61           | 61           | 73           | 85           | 97           | 109           | 119           | 134           | 146           |
| NOZZLE WIDTH   | 36           | 42           | 48           | 60           | 60           | 72           | 84           | 96           | 108           | 118           | 133           | 145           |
| MOUNTING WIDTH | 36 1/16      | 42 1/16      | 48 1/16      | 60 1/16      | 60 1/16      | 72 1/16      | 84 1/16      | 96 1/16      | 108 1/16      | 118 1/16      | 133 1/16      | 145 1/16      |