

Installation

MODELS LDC & LDX

Mounting Option 1:

Top Mount - Unit has four 3/8-16 threaded inserts for installing one end of threaded rods. The other ends of the threaded rods can be attached to the ceiling. Threaded rod should not extend more than 3/4 inch into air curtain.

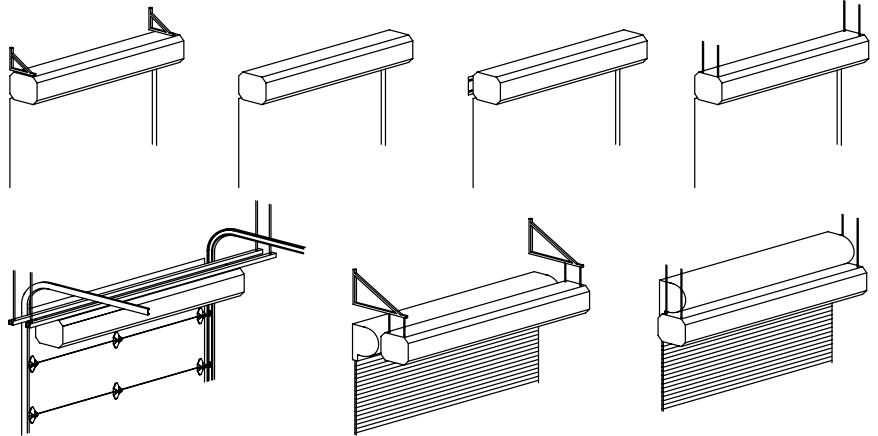
Mounting Option 2:

Wall Mount - Back side of air curtain has 4 mounting holes capable of accepting four 3/8 mounting bolts or lags, with washers (use these holes only for mounting). Mark and pre-drill mounting surface accurately. A long extension ratchet will negate the need to remove the motor/blower plate when installing. Mounting bolts or lags of sufficient size and strength should be installed and tightened through the four 7/8 inch holes in motor/blower plate. If motor/blower plate has to be removed, the junction box inside the unit must be removed along with any electrical switches that may be in the way. The electrical switches have a lever that slides in one direction to release the switch contacts from the switch body. All wires will then stay intact for easy installation when replacing blower plate. Remove 7/16 whizlock nuts holding plate in place and slide plate out rotating top portion of plate so it comes out first. Remember when installing plate to put bottom of plate in first and rotate top in last.

Note for LDC, HDC, LDX, HDX:

The air curtain should be mounted as close to the door header/opening as possible for maximum performance. For every one inch the bottom of the air curtain is mounted above the door header, the back side of air curtain should be moved away from the wall 1/2 inch.

* Threaded rod is by others



Note: All hardware and brackets must be of sufficient strength to safely support air curtain.

Mounting Option 3:

Wall Mount, Extension Brackets - Extension brackets bolt on to the back of the unit, utilizing the 4 original mounting holes, and allowing for external mounting of unit to wall. Brackets have elongated mounting slots that extend the mounting width by 2 1/2 to 3 1/2 inches.

Installation

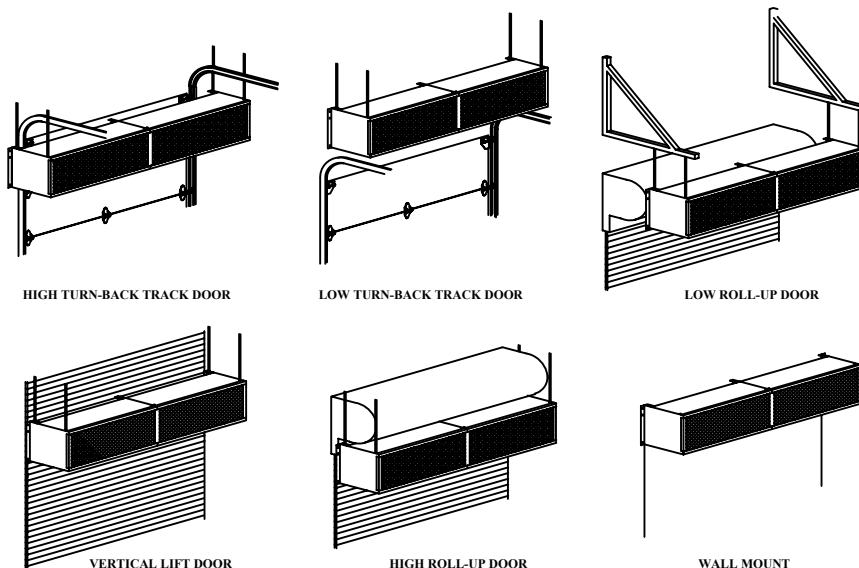
MODELS HDC & HDX

Mounting Option 1:

Top Mount - Unit has four 15/32 inch holes for installing one end of 7/16" threaded rods. The other ends of the threaded rods can be attached to the ceiling. Washers and lock washers or locknuts are recommended. Mounting structure should be of sufficient strength to hold air curtain, and hardware (supplied by others) should be of sufficient strength and quality to support the unit safely.

Mounting Option 2:

Wall Mount - Rear flanges of air curtain have six holes, for six 7/16 inch bolts or lags with washers. When wall mounting use all six holes.



* Threaded rod is by others