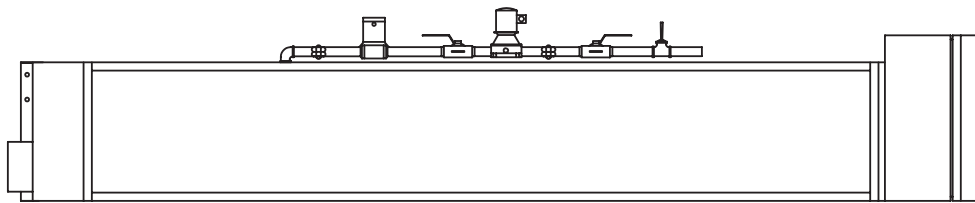
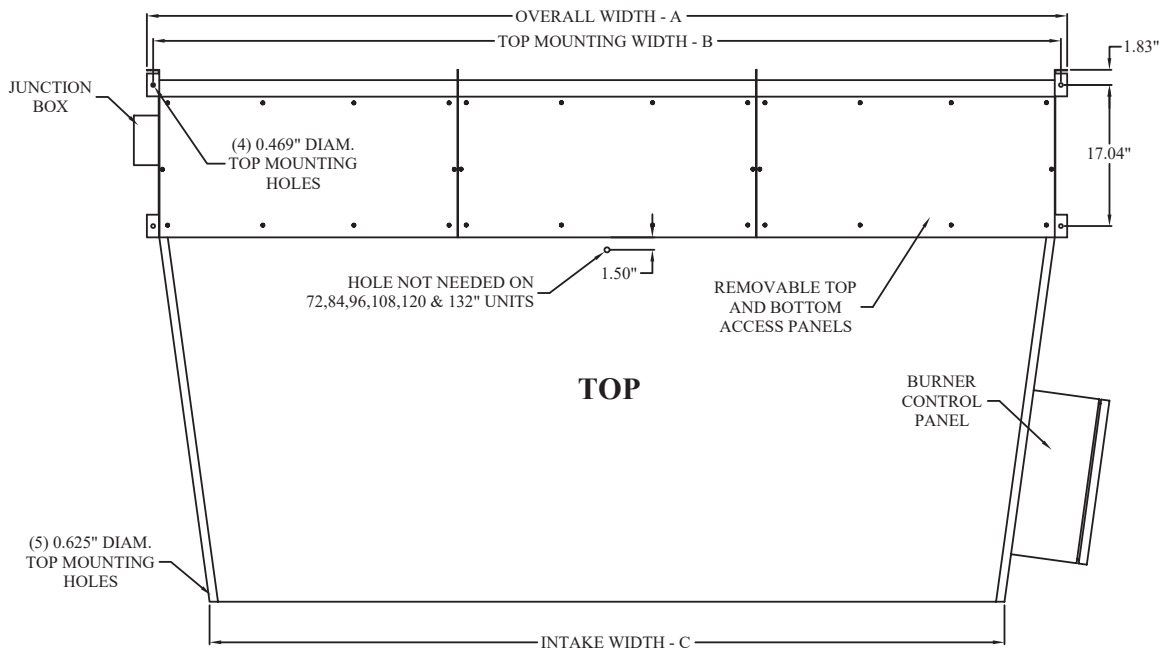


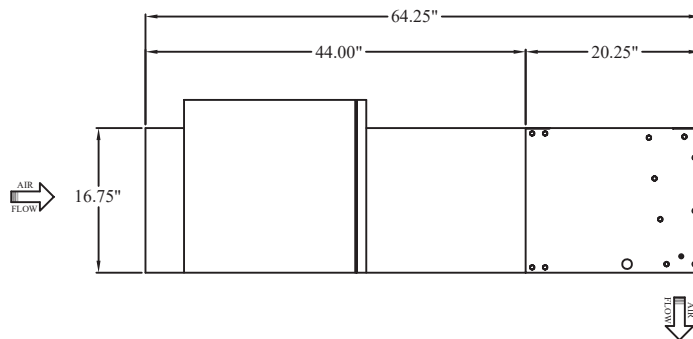
**NOTES:**

1. Installer responsible for structurally sound mounting of the unit.
2. Verify that overall dimensions will fit in the opening.
3. 1 PSI minimum gas inlet pressure. 5 PSI maximum.

**IMPORTANT:** Direct Gas Fired Air Curtain must be ducted to the outside for 100% fresh air.



**FRONT**



MODEL NUMBER	TDG-2-72	TDG-2-84	TDG-2-96	TDG-3-108	TDG-3-120	TDG-3-132	TDG-4-144
OVERALL WIDTH - A	75.07"	87.07"	99.07"	111.15"	123.15"	135.15"	147.22"
MOUNTING WIDTH - B	73.57"	85.57"	97.57"	109.65"	121.65"	133.65"	145.72"
INTAKE WIDTH - C	73.00"	73.00"	73.00"	96.00"	96.00"	96.00"	120.00"