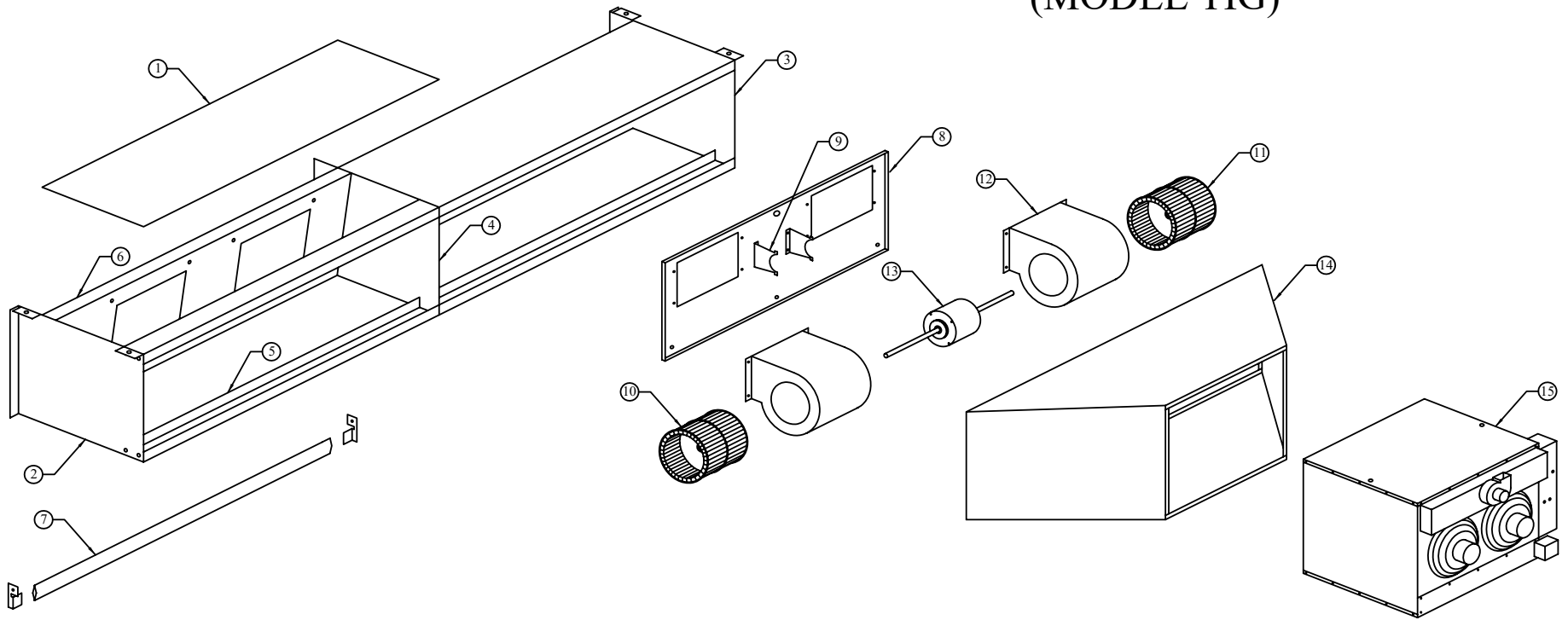



COMMERCIAL UNIT REPLACEMENT PARTS (MODEL TIG)



ITEM #	DESCRIPTION	PART #
1	36" TOP / BOTTOM PANEL	CMCL-36-TBPL
1	48" TOP / BOTTOM PANEL	CMCL-48-TBPL
1	60" TOP / BOTTOM PANEL	CMCL-60-TBPL
2	LEFT SIDE PANEL	CMCL-SDPL-L
3	RIGHT SIDE PANEL	CMCL-SDPL-R
4	INTERIOR SIDE PANEL	CMCL-ISPL
5	36" STRUT	CMCL-36-STRT
5	48" STRUT	CMCL-48-STRT
5	60" STRUT	CMCL-60-STRT
6	36" PLENUM	CMCL-36-PLSA
6	48" PLENUM	CMCL-48-PLSA
6	60" PLENUM	CMCL-60-PLSA

ITEM #	DESCRIPTION	PART #
7	36" STEERING VANE ASSEMBLY	CMCL-36-SVA
7	48" STEERING VANE ASSEMBLY	CMCL-48-SVA
7	60" STEERING VANE ASSEMBLY	CMCL-60-SVA
8	MOTOR / BLOWER PLATE	CMCL-MTPL
9	MOTOR MOUNT (FOR SINGLE PHASE MOTOR)	2120-051
10	BLOWER WHEEL (LEFT)	CMBLR-WH-L
11	BLOWER WHEEL (RIGHT)	CMBLR-WH-R
12	BLOWER HOUSING	CMBLR-HS
13	MOTOR	CONSULT FACTORY
14	TRANSITION DUCT	CONSULT FACTORY
15	INDIRECT GAS UNIT HEATER	CONSULT FACTORY

POWERED AIRE™ INC.
109 Mortensen Rd. Greenville, PA 16125



POWERED AIR SYSTEMS
MODEL TIG
REPLACEMENT PARTS

DRAWN BY: B.K.J.