



# Air Curtain Owner's Manual

Models:

CLD, CLD-E, CLD-HW/ST | CHD, CHD-E, CHD-HW/ST  
CHA, CHA-E, CHA-HW/ST | ECC, ECC-E, ECC-HW/ST



## IMPORTANT!

- 1. CHECK FOR DAMAGE:** When you receive your air curtain, immediately check for visible or concealed damage. Claims should be made immediately to the transportation company. Powered Aire will not be liable for damage claims submitted late.
- 2. LOCATE AND RETAIN THE SERIAL NUMBER:** The unit's serial number is necessary to request technical support, order replacement parts or to acquire a wiring diagram. The serial number is located on a silver sticker located on the right side end cap when facing the front of the air curtain.

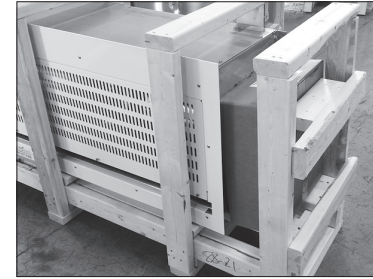
For PARTS, TECHNICAL SUPPORT or INFORMATION  
call: 1-888-321-2473



Trained and experienced mechanic/electrician required for installation.

Powered Aire will not be responsible for misplaced switches.

Please review the following instructions for unpacking your air curtain and preparing it for installation.



1. Remove shrink-wrap and remove wood slats from top and sides of crate to expose air curtain hold down screws (used to keep air curtain in place during transit).



2. The air curtain is lagged to the bottom of the crate frame. Remove screws. Unit is now ready for installation.

### Location of Remote Switches

If remote switches are supplied with the air curtain they are shipped inside the Control Panel enclosure.



## INSTALLATION

Unheated, Electric Heat, Hot Water and Steam Heat

NOTE: For every one inch the bottom of the air curtain is mounted above the door header, the back side of the air curtain should be moved away from the wall ½ inch.

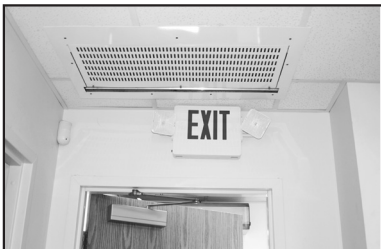
- *Trained and experienced mechanic / electrician required.*
- *Warning: Risk of electrical shock, can cause injury or death: Disconnect all remote electrical supplies before servicing.*
- *Units must be field wired in accordance with all applicable local, state, provincial and national codes, including wire size and materials.*

Unit has four 15/32 inch holes for installing one end of 7/16" threaded rods. The other ends of the threaded rods can be attached to the ceiling. Washers and lock washers or locknuts are recommended. Mounting structure should be of sufficient strength to hold air curtain, and hardware (supplied by others) should be of sufficient strength and quality to support the unit safely.

- Remove intake/discharge grille from bottom of air curtain. If ceiling is already in place, determine where air curtain location will be and cut a rectangular hole in the ceiling. The hole will be 1 inch longer and wider than the bottom length and width of the air curtain without the intake/discharge grille.
- Suspend air curtain using threaded rods so that the bottom of the unit is centered within the cut out in the ceiling. There will be a 1/2 inch gap around the air curtain. Mount the unit so that the bottom is flush with the ceiling.



- Attach the intake/discharge grille to the bottom of the air curtain. The grille is larger than the air curtain to cover the gaps between the air curtain and ceiling.



## TROUBLESHOOTING - UNHEATED UNITS

\* REPAIRS SHOULD BE PERFORMED BY A MECHANIC / ELECTRICIAN

<u>SYMPTOMS</u>	<u>POSSIBLE CAUSES</u>	<u>CHECK/REMEDIES</u>
NON-OPERATIONAL	Main circuit breaker or disconnect is in OFF position.	Move switch to ON position or reset.
	Loose electrical connection.	Check / tighten connection.
	Fuse blown.	Replace fuse.
MINIMAL / NO AIR	Intake screen and filter clogged.	Remove, clean and / or replace.
	Air intake restricted.	Remove obstruction or move air curtain.
	Fan not rotating.	Affix set screw(s) to shaft.
	Air discharge inadequate.	Obstruction in discharge path (i.e. door headers, automatic door openers, etc.) Move air curtain.
	Air discharge deflecting into wall.	For every 1 inch air curtain is mounted above the door header, air curtain should be moved away from the wall ½ inch.
	Negative air pressure.	Equalize building pressure.
	Multiple motor units: (only one motor not operating).	Repair or replace motor.
EXCESSIVE BLOWER NOISE/ VIBRATION	Blower wheel loose on motor shaft.	Tighten set screw(s).
	Air intake vibration.	Tighten air intake screws.
	Blower wheel dirty.	Remove and clean.
	Damaged blower or unbalanced wheel.	Repair or replace.
	Motor being worn.	Replace motor.
	Fan hitting / rubbing fan housing.	Motor shaft bent. Repair or replace. Free housing from fan's path.
ELECTRIC CONTROLS NOT FUNCTIONING	Switch in OFF position.	Move switch to ON position.
	Door switch won't turn unit on/off when used in conjunction with Hand/Off/Automatic switch.	Move switch to AUTOMATIC position. Check wiring.
	Improperly wired.	Check and repair.
	Faulty switch.	Repair or replace.
	EXCESSIVE AIR SPILL TO OUTSIDE OR INSIDE.	Nozzle angle too great.

## TROUBLESHOOTING - ELECTRICALLY HEATED UNITS

\* REPAIRS SHOULD BE PERFORMED BY A MECHANIC / ELECTRICIAN

SYMPTOMS	POSSIBLE CAUSES	CHECK/REMEDIES
EXCESSIVE HEAT	Not enough air over electric heating coil.	See MINIMAL / NO AIR
	Improper voltage.	Supply voltage that unit requires.
	Thermostat setting is too high.	Switch to a lower temperature setting.
NO HEAT / NOT ENOUGH HEAT	Time delay is improperly wired.	Blown out, replace.
	Heat switch is in OFF position.	Rotate to ON position.
	Heat switch is in ON position.	Check wiring. Replace switch or contactor.
	Coil(s) burned out.	Replace.
	Heaters glowing red and thermal cut outs activating	Not enough air over coil. See MINIMAL / NO AIR
	Thermostat improperly set.	Set to desired temperature.
	Heater contactor not functioning.	Repair or replace.
	Improperly wired.	Check and adjust.
Ambient temperature.	Units are recommended to have a minimum of 66 degrees intake air.	



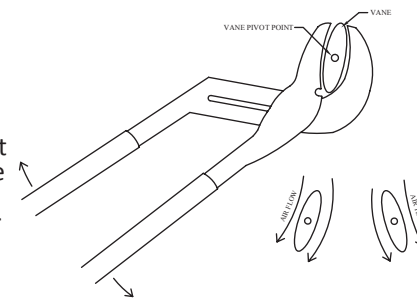
## MAINTENANCE

\*Before any internal maintenance is performed be sure all power to unit is disconnected and locked out.

- Periodically clean grille and re-cleanable filter (if equipped). The interval in between cleaning will vary per location depending on the amount of particles in the air. The holes in the grille must be free from obstructions to ensure that the blowers can get enough air to function properly. To clean filter, remove and simply flush with hot water or steam. Filters are made of rustproof aluminum or galvanized steel. After cleaning, allow the filter to dry before returning it to the unit.
- For units with hot water or steam coil, while cleaning screens and/or filters, visually inspect the heat exchanger fins to ensure they are not clogged up or damaged.
- While doing routine maintenance, verify that the discharge steering vanes are adjusted properly. The steering vanes come pre-set from the factory and will not need adjusted in most cases. In some cases of extreme conditions such as that of high winds, the steering vanes can be adjusted to point further towards the outside to counteract the wind. See Air Directional Adjustment below.

### Air Directional Adjustment

Air curtain comes equipped with a steering vane in the discharge to allow for the outward adjustment of the discharge air direction. To adjust, first wrap a rag around the vane so it is not scratched. Grip the vane near the end on one side with a pair of channel locks and rotate it in the direction that you want the air to flow. Repeat for the other side. Periodic cleaning of the steering vane may be required. To clean it just wipe it down with a damp rag.

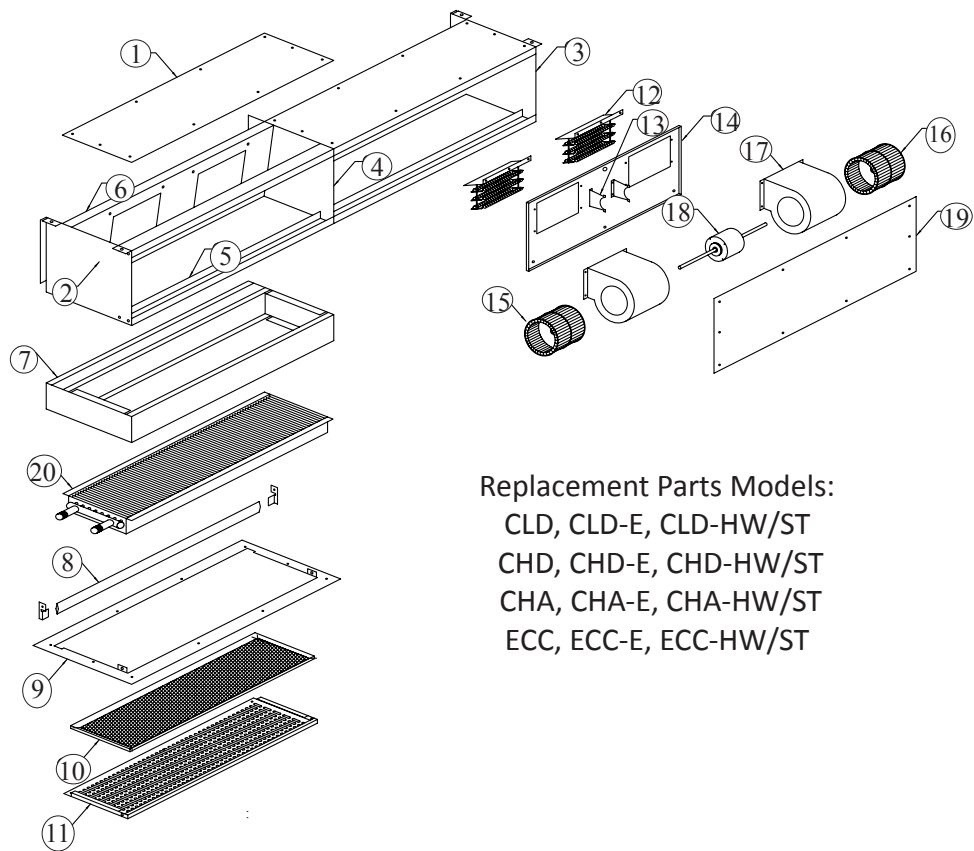


- Periodically do a visual inspection on the unit to ensure that the unit is not damaged and is operating properly with all motors spinning.
- Most commercial units have single phase motors that are permanently lubricated, so there are not any fittings that need greased.

\*Note that the air curtain blowers are direct drive so there are no belts to maintain.

### RETURN POLICY

- For all warranty issues contact factory at 724-985-4183.
- All returns must be approved in advance and accompanied by an RGA number or will not be accepted.
- Once units have been installed no returns will be allowed.
- Units that are returned damaged will not be accepted and full payment will be required.
- No returns will be allowed after 10 working days from shipment.
- Contact factory for Restocking Fee Schedule.



Replacement Parts Models:  
 CLD, CLD-E, CLD-HW/ST  
 CHD, CHD-E, CHD-HW/ST  
 CHA, CHA-E, CHA-HW/ST  
 ECC, ECC-E, ECC-HW/ST

\* For Part Numbers:  
 Replace YYY with the Model - CLD, CHD, CHA or ECC  
 Replace XX with Model Size (36, 48, 60 or 72)

ITEM	DESCRIPTION	PART#
1	TOP PANEL	CHM-XX-TPL
2	LEFT SIDE PANEL	CHM-SDPL-L
3	RIGHT SIDE PANEL	CHM-SDPL-R
4	INTERIOR SIDE PANEL	CHM-ISPL
5	STRUT	CHM-XX-STRT
6	PLENUM	CHM-XX-PLSA
7	COIL EXTENSION ADAPTER	CHM-XX-CLEXT
8	STEERING VANE ASSEMBLY	CHM-XX-SVA
9	INTAKE - OUTER	CHM-XX-OTIN
10	FILTER	CHM-XX-FLT
11	INTAKE - INNER	CHM-XX-ININ
12	ELECTRIC HEATER (208 VOLT)	21-3307-00
12	ELECTRIC HEATER (240 VOLT)	21-3307-01
12	ELECTRIC HEATER (480 VOLT)	21-3307-02
12	ELECTRIC HEATER (575 VOLT)	21-3307-03

ITEM	DESCRIPTION	PART#
13	MOTOR MOUNT	2120-051
14	MOTOR / BLOWER PLATE (1 MOTOR)	CHM-MTPL-1
14	MOTOR / BLOWER PLATE (2 MOTOR)	CHM-MTPL-2
15	BLOWER WHEEL (LEFT)	CMBLR-WH-L
16	BLOWER WHEEL (RIGHT)	CMBLR-WH-R
17	BLOWER HOUSING	CMBLR-HS
18	MOTOR (120 VOLT)	7124-120-YYY
18	MOTOR (208/230 VOLT)	7124-230-YYY
18	MOTOR (480 VOLT)	7124-480-YYY
18	MOTOR (575 VOLT)	7124-575-YYY
19	FRONT PANEL	CHM-XX-FPL
20	HOT WATER / STEAM COIL	CONSULT FACTORY

## LIMITED WARRANTY

**Scope of Warranty:** Powered Aire's products are warranted against defects in Powered Aire workmanship and materials. Powered Aire Inc. and its employees are committed to providing our customers with the best designed and manufactured Air Curtains / Door Heaters. We welcome comments and questions regarding our products. Please contact us at Powered Aire Inc. Phone: 724-588-3305.

**Warranty Period:** Powered Aire unheated air curtains are warranted for 60 months from the date of shipment. All other Powered Aire heated air curtains are warranted for 24 months from the date of shipment. All warranty claims must be submitted to Powered Aire prior to the expiration date of the warranty period. All warranties cover parts only. If Powered Aire does not supply the controls for the air curtain, the unit will not be warranted.

**Procedure to Receive Warranty Service:** Customer should take or ship prepaid the Powered Aire product requiring warranty service to Powered Aire. Contact the Home Office for authorization number. Include an explanation of the defect or problem, a description of the way in which the Powered Aire product is used, and your name, telephone number and address. Tag shipment with authorization number.

**Repair by Other than Powered Aire:** Customers who are unable to take or ship the Powered Aire product to the factory, should contact the home office. A repair by anyone other than Powered Aire authorized personnel must be approved in advance by Powered Aire.

**Repairs Outside the Scope of Warranty:** Problems with Powered Aire products can be due to improper maintenance, faulty installation, non Powered Aire additions or modifications, or other problems not due to defects in Powered Aire workmanship or materials. If the authorized Powered Aire Service Company determines that the problem with a Powered Aire product is not due to defects in Powered Aire workmanship or materials, then the customer will be responsible for the cost of any necessary repairs. Customers not satisfied with a determination that a problem is outside of warranty coverage should contact the Powered Aire Home Office. **Repairs or Replacement Within the Scope of the Warranty:** If a Powered Aire product is defective due to Powered Aire workmanship or materials and the defect occurs during the warranty period, then Powered Aire will either repair the product or replace it with a new one, whichever Powered Aire believes to be appropriate under the circumstances. Powered Aire is not responsible for the removal and shipping of the Powered Aire product to the home office, the reinstallation of Powered Aire product upon its return to the customer, or any incidental or consequential damages resulting from the defect, removal, reinstallation, shipment or otherwise.

**Intended Use:** Powered Aire products are designed for industrial / commercial applications.

**Product Specifications:** All product specifications, applications and other information provided in Powered Aire's catalog and publications are subject to correction and change without notice and should be confirmed by the Home Office. **Extended Warranties:** Extended warranties are available. They will be negotiated individually. Extended warranties are subject to the terms and procedures of this Limited Warranty and Service Policy as modified by the additional terms of the extended warranty. **No Other Warranties and Liability Limitation:** This Limited Warranty represents Powered Aire's sole and exclusive warranty obligation with respect to Powered Aire products. Powered Aire's liability to customer or any other person shall not exceed the Powered Aire's sales price of the applicable Powered Aire Product. Powered Aire disclaims all other expenses and implied warranties including the implied warranties of fitness for a particular purpose and merchantability. \*Performance Warranty All Powered Aire air curtains correctly selected and installed carry a performance guarantee.

109 Mortensen Rd., Greenville, PA 16125  
 Phone: 724-588-3305 Toll-Free: 1-888-321-2473  
 www.poweredaire.com