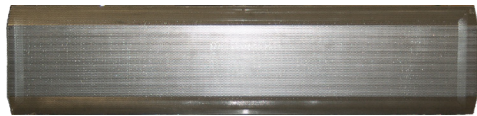




Air Curtain Owner's Manual

Models:
MP & MP-E | RMP



IMPORTANT!

- 1. CHECK FOR DAMAGE:** When you receive your air curtain, immediately check for visible or concealed damage. Claims should be made immediately to the transportation company. Powered Aire will not be liable for damage claims submitted late.
- 2. LOCATE AND RETAIN THE SERIAL NUMBER:** The unit's serial number is necessary to request technical support, order replacement parts or to acquire a wiring diagram. The serial number is located on a silver sticker located on the right side end cap when facing the front of the air curtain.

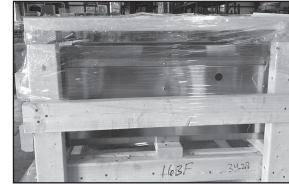
For PARTS, TECHNICAL SUPPORT or INFORMATION
call: 1-888-321-2473



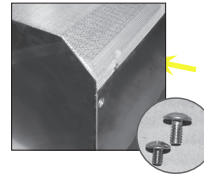
Trained and experienced mechanic/electrician required for installation.

Powered Aire will not be responsible for misplaced switches.

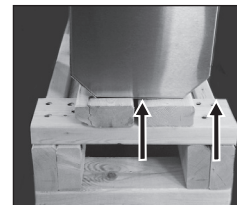
Please review the following instructions for unpacking your air curtain and preparing it for installation.



1. Remove shrink-wrap and remove wood slats from top and sides of crate.



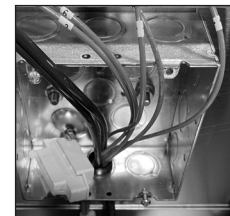
2. Using a Phillips head screwdriver, unscrew the truss head screws that hold intake screen in place. Set aside screen and screws for later use. Remove filter (if supplied).



3. The air curtain is lagged to the bottom of the crate frame. Use a 3/8" socket with extension and remove the 4 lag screws (one in each corner) that attach the air curtain to the skid. Unit is now ready for installation. Lag screw holes can be used to bolt the air curtain to the wall.
4. Replace the intake screen and filter (if provided) when installation is complete.

Location of Remote Switches

If remote switches are supplied with the MP air curtain they are shipped in one of the following locations:



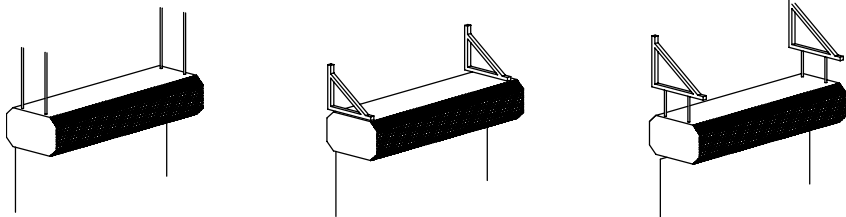
Inside the junction box.



Inside the Control Panel enclosure (if supplied).

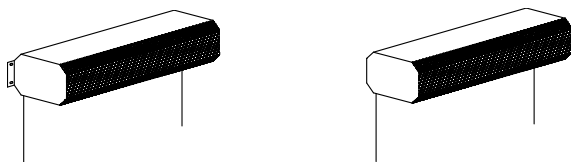
INSTALLATION OPTIONS

NOTE: The RMP air curtain is to be installed such that the bottom of the air curtain is no more than 10 ft. above the finished floor in order to comply with the NSF/ANSI 37 standard. The air curtain shall be at least as wide as the opening to be protected.



Top Mount - Unit has four 3/8-16 threaded inserts for installing one end of threaded rods. The other ends of the threaded rods can be attached to the ceiling. Threaded rod should not extend more than 3/4 inch into air curtain.

Angle Brackets - Angle brackets (also called knee or L-brackets) can be flush to the wall or constructed to account for a projection from the wall. For proper sizing provide distance from wall to back of air curtain. Max. offset of 20".



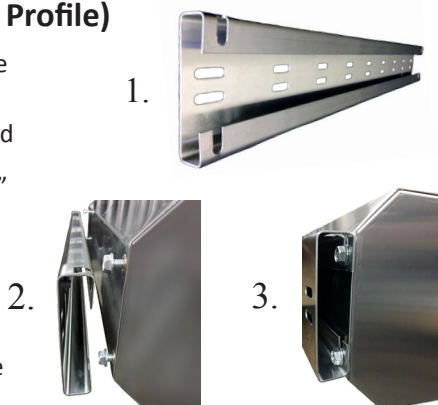
Side Extension Brackets - Extension brackets bolt on to the back of the unit, utilizing the 4 original mounting holes, and allowing for external mounting of unit to wall. Brackets have elongated mounting slots that extend the mounting width by 2 1/2 to 3 1/2 inches.

Wall Mount - Back side of air curtain has 4 mounting holes capable of accepting four 3/8 mounting bolts or lags, with washers (use these holes only for mounting). Mark and pre-drill mounting surface accurately. A long extension and ratchet will negate the need to remove the motor/blower plate when installing. Mounting bolts or lags of sufficient size and strength should be installed and tightened through the four slots in the motor/blower plate.

* Threaded rod and angle brackets by others.

LP123 quick mounting plate (Low Profile)

1. Universal mounting slots are used to lag the bracket to the wall (Bolts by others).
2. 3/8" mounting bolts (supplied) are threaded into the holes located in all four corners of the back side of the air curtain, leaving 1/2" of the bolts exposed.
3. The air curtain is then lifted onto the bracket so that the exposed bolt heads slip down into the notches at the top and bottom of both ends of the bracket. The four bolts are tightened in place so that the air curtain fits snugly against the bracket.



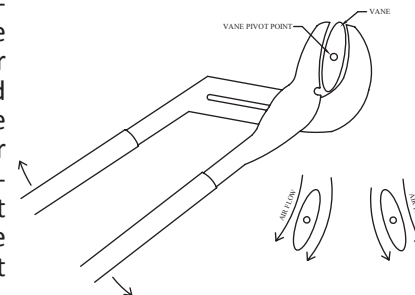
MAINTENANCE

***Before any internal maintenance is performed be sure all power to unit is disconnected and locked out.**

- Periodically clean return air screen and re-cleanable filter (if equipped). The interval in between cleanings will vary per location depending on the amount of particles in the air. The holes in the screen must be free from obstructions to ensure that the blowers can get enough air to function properly. To clean filter, remove screws and remove screen. Remove filter and simply flush with hot water or steam. Filters are made of rustproof aluminum or galvanized steel. After cleaning, allow the filter to dry before returning it to the unit.
- While doing routine maintenance, verify that the discharge steering vanes are adjusted properly. The steering vanes come pre-set from the factory and will not need adjusted in most cases. In some cases of extreme conditions such as that of high winds, the steering vanes can be adjusted to point further towards the outside to counteract the wind. See Air Directional Adjustment below.

AIR DIRECTIONAL ADJUSTMENT:

Air curtain comes equipped with a steering vane in the discharge to allow for the outward adjustment of the discharge air direction. To adjust, first wrap a rag around the vane so it is not scratched. Grip the vane near the end on one side with a pair of channel locks and rotate it in the direction that you want the air to flow. Repeat for the other side. Periodic cleaning of the steering vane may be required. To clean it just wipe it down with a damp rag.



- Periodically do a visual inspection on the unit to ensure that the unit is not damaged and is operating properly with all motors spinning.
- Motors are permanently lubricated, so there are not any fittings that need greased.

***Note that the air curtain blowers are direct drive so there are no belts to maintain.**

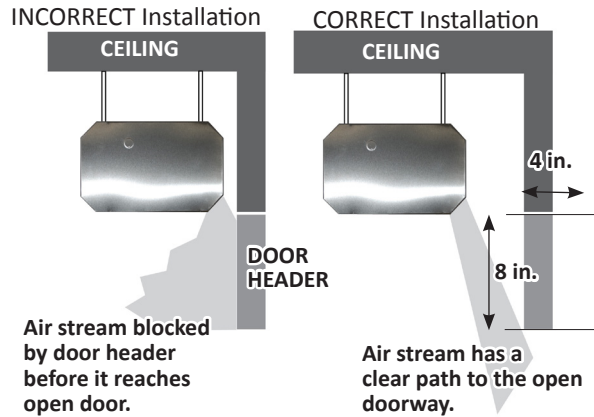
TROUBLESHOOTING - ELECTRICALLY HEATED UNITS

* REPAIRS SHOULD BE PERFORMED BY A MECHANIC / ELECTRICIAN

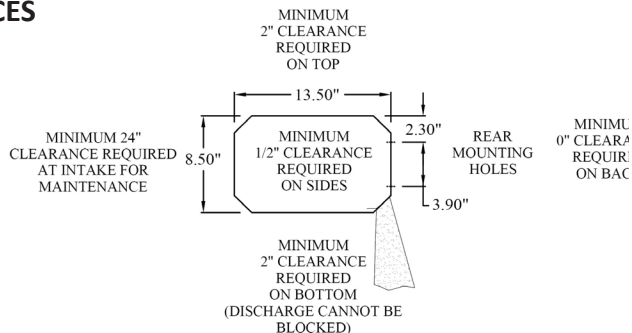
SYMPTOMS	POSSIBLE CAUSES	CHECK/REMEDIES
EXCESSIVE HEAT	Not enough air over electric heating coil.	See MINIMAL / NO AIR
	Improper voltage.	Supply voltage that unit requires.
	Thermostat setting is too high.	Switch to lower temperature setting.
NO HEAT / NOT ENOUGH HEAT	Time delay is improperly wired.	Blown out, replace.
	Heat switch is in OFF position.	Rotate to ON position.
	Heat switch is in ON position.	Check wiring. Replace switch or contactor.
	Manual Resettable Thermal Cut Out Activated	Reset Manual Thermal Cut Out. Not enough air over coil. SEE MINIMAL/ NO AIR
	Coil(s) burned out.	Replace.
	Heaters glowing red and thermal cut outs activating	Not enough air over coil. See MINIMAL / NO AIR
	Thermostat improperly set.	Set to desired temperature.
	Heater contactor not functioning.	Repair or replace.
	Improperly wired.	Check and adjust.
Ambient temperature.	Units are recommended to have a minimum of 66 degrees intake air.	

INSTALLATION NOTE

The bottom of the air curtain should be flush with the top of the opening if possible. If not and the air curtain has to be raised, the following applies: For every one inch the bottom of the air curtain is mounted above the door header, the back side of the air curtain should be moved away from the wall ¼ inch.



CLEARANCES



RETURN POLICY

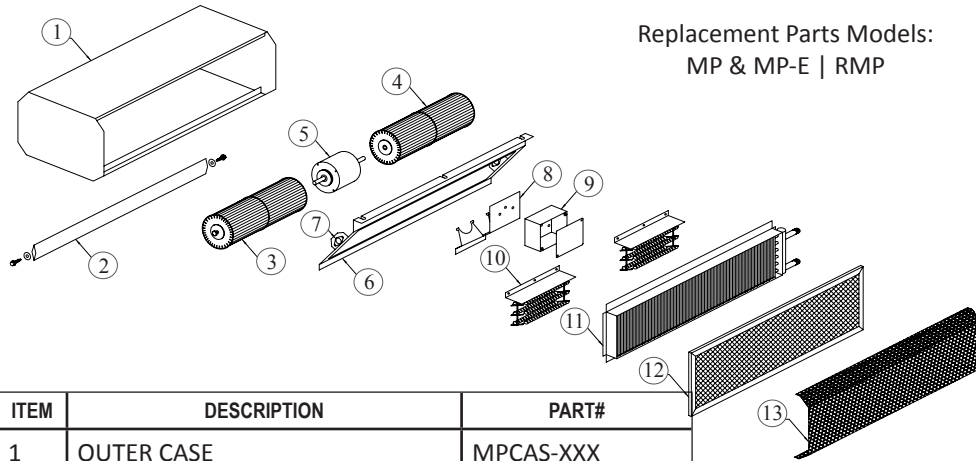
- For all warranty issues contact factory at 724-588-3305 or toll-free 888-321-2473.
- All returns must be approved in advance and accompanied by an RGA number or will not be accepted.
- Once units have been installed no returns will be allowed.
- Units that are returned damaged will not be accepted and full payment will be required.
- No returns will be allowed after 10 working days from shipment.
- Contact factory for Restocking Fee Schedule.

TROUBLESHOOTING - UNHEATED UNITS

* REPAIRS SHOULD BE PERFORMED BY A MECHANIC / ELECTRICIAN

SYMPTOMS	POSSIBLE CAUSES	CHECK/REMEDIES
NON-OPERATIONAL	Main circuit breaker or disconnect is in OFF position.	Move switch to ON position or reset.
	Loose electrical connection.	Check / tighten connection.
	Fuse blown.	Replace fuse.
MINIMAL / NO AIR	Intake screen and filter clogged.	Remove, clean and / or replace.
	Air intake restricted.	Remove obstruction or move air curtain.
	Fan not rotating.	Affix set screw(s) to shaft.
	Air discharge inadequate.	Obstruction in discharge path (i.e. door headers, automatic door openers, etc.) Move air curtain.
	Air discharge deflecting into wall.	For every 1 inch air curtain is mounted above the door header, air curtain should be moved away from the wall ¼ inch.
	Negative air pressure.	Equalize building pressure.
EXCESSIVE BLOWER NOISE/ VIBRATION	Multiple motor units: (only) one motor not operating.	Repair or replace motor.
	Blower wheel loose on motor shaft.	Tighten set screw(s).
ELECTRIC CONTROLS NOT FUNCTIONING	Air intake vibration.	Tighten air intake screws.
	Blower wheel dirty.	Remove and clean.
	Damaged blower or unbalanced wheel.	Repair or replace.
	Motor being worn.	Replace motor.
	Fan hitting / rubbing fan housing.	Motor shaft bent. Repair or replace. Free housing from fan's path.
	Switch in OFF position.	Move switch to ON position.
EXCESSIVE AIR SPILL TO OUTSIDE OR INSIDE.	Door switch won't turn unit on/off when used in conjunction with Hand/Off/ Automatic switch.	Move switch to AUTOMATIC position. Check wiring.
	Improperly wired.	Check and repair.
	Faulty switch.	Repair or replace.
EXCESSIVE AIR SPILL TO OUTSIDE OR INSIDE.	Nozzle angle too great.	Optimum angle setting is 15 degrees towards outside.

LIMITED WARRANTY



Replacement Parts Models:
MP & MP-E | RMP

ITEM	DESCRIPTION	PART#
1	OUTER CASE	MPCAS-XXX
2	STEERING VANE	MPSV-XXX
3	14" BLOWER WHEEL (left)	MPBLR-14L
3	20" BLOWER WHEEL (left)	MPBLR-20L
3	22" BLOWER WHEEL (left)	MPBLR-22L
3	26" BLOWER WHEEL (left)	MPBLR-26L
4	14" BLOWER WHEEL (right)	MPBLR-14R
4	20" BLOWER WHEEL (right)	MPBLR-20R
4	22" BLOWER WHEEL (right)	MPBLR-22R
4	26" BLOWER WHEEL (right)	MPBLR-26R
5	MOTOR (120 VOLT, SINGLE PHASE)	MPMOT-120
5	MOTOR (208/230 VOLT, SINGLE PHASE)	MPMOT-230
6	MOTOR / BLOWER PLATE	MBPLATE-XXX
7	BEARING CAP	MPBRCAP
8	MOTOR BRACKET	MPMTRBR
9	JUNCTION BOX WITH LID	MPJBOX
10	ELECTRIC HEATER (208 VOLT) *	MPHT-208
10	ELECTRIC HEATER (240 VOLT) *	MPHT-240
10	ELECTRIC HEATER (480 VOLT) *	MPHT-480
10	ELECTRIC HEATER (575 VOLT) *	MPHT-575
11	HOT WATER / STEAM COIL	CONSULT FACTORY
12	FILTER	MPFLT-XXX
13	SCREEN	MPSCR-XXX

For Part Numbers:

Replace XXX with the unit size 030, 036, 042, 048, 060, 072, 084, 096, 108, 120

For Model RMP add 'R' to beginning of part number

*Parts marked with are not available with Model RMP

Scope of Warranty: Powered Aire's products are warranted against defects in Powered Aire workmanship and materials. Powered Aire Inc. and its employees are committed to providing our customers with the best designed and manufactured Air Curtains / Door Heaters. We welcome comments and questions regarding our products. Please contact us at Powered Aire Inc. Phone: 724-588-3305.

Warranty Period: Powered Aire unheated air curtains are warranted for 60 months from the date of shipment. All other Powered Aire heated air curtains are warranted for 24 months from the date of shipment. All warranty claims must be submitted to Powered Aire prior to the expiration date of the warranty period. All warranties cover parts only. If Powered Aire does not supply the controls for the air curtain, the unit will not be warranted.

Procedure to Receive Warranty Service: Customer should take or ship prepaid the Powered Aire product requiring warranty service to Powered Aire. Contact the Home Office for authorization number. Include an explanation of the defect or problem, a description of the way in which the Powered Aire product is used, and your name, telephone number and address. Tag shipment with authorization number.

Repair by Other than Powered Aire: Customers who are unable to take or ship the Powered Aire product to the factory, should contact the home office. A repair by anyone other than Powered Aire authorized personnel must be approved in advance by Powered Aire.

Repairs Outside the Scope of Warranty: Problems with Powered Aire products can be due to improper maintenance, faulty installation, non Powered Aire additions or modifications, or other problems not due to defects in Powered Aire workmanship or materials. If the authorized Powered Aire Service Company determines that the problem with a Powered Aire product is not due to defects in Powered Aire workmanship or materials, then the customer will be responsible for the cost of any necessary repairs. Customers not satisfied with a determination that a problem is outside of warranty coverage should contact the Powered Aire Home Office.

Repairs or Replacement Within the Scope of the Warranty: If a Powered Aire product is defective due to Powered Aire workmanship or materials and the defect occurs during the warranty period, then Powered Aire will either repair the product or replace it with a new one, whichever Powered Aire believes to be appropriate under the circumstances. Powered Aire is not responsible for the removal and shipping of the Powered Aire product to the home office, the reinstallation of Powered Aire product upon its return to the customer, or any incidental or consequential damages resulting from the defect, removal, reinstallation, shipment or otherwise.

Intended Use: Powered Aire products are designed for industrial / commercial applications. **Product Specifications:** All product specifications, applications and other information provided in Powered Aire's catalog and publications are subject to correction and change without notice and should be confirmed by the Home Office. **Extended Warranties:** Extended warranties are available. They will be negotiated individually. Extended warranties are subject to the terms and procedures of this Limited Warranty and Service Policy as modified by the additional terms of the extended warranty. **No Other Warranties and Liability Limitation:** This Limited Warranty represents Powered Aire's sole and exclusive warranty obligation with respect to Powered Aire products. Powered Aire's liability to customer or any other person shall not exceed the Powered Aire's sales price of the applicable Powered Aire Product. Powered Aire disclaims all other expenses and implied warranties including the implied warranties of fitness for a particular purpose and merchantability.

109 Mortensen Rd., Greenville, PA 16125
Phone: 724-588-3305 Toll-Free: 1-888-321-2473

www.poweredaire.com