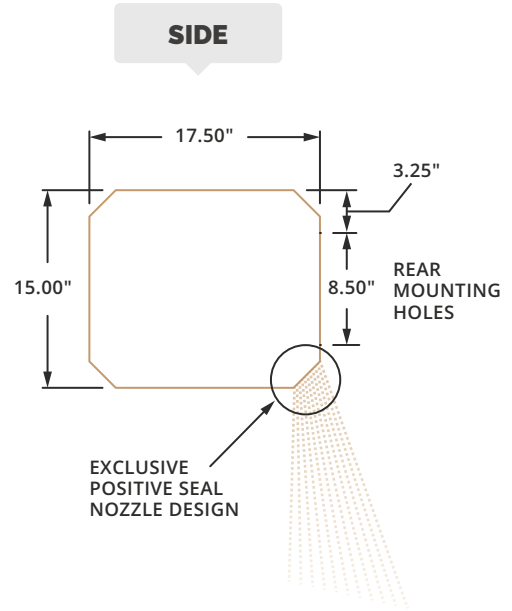


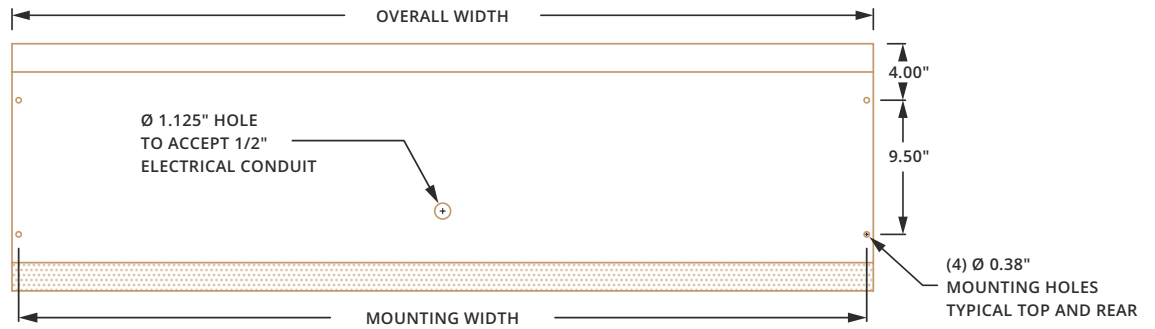
► BCE & BCT | MECHANICAL DETAILS & DRAWINGS

BCE & BCT | Mechanical Information Table

MODEL	Overall Width (in.)	Nozzle Width (in.)	Mounting Width (in.)
BCE / BCT 1-36	37	36	36.06
BCE / BCT 1-42	43	42	42.06
BCE / BCT 1-48	49	48	48.06
BCE / BCT 1-60	61	60	60.06
BCE / BCT 2-60	61	60	60.06
BCE / BCT 2-72	73	72	72.06
BCE / BCT 2-84	85	84	84.06
BCE / BCT 2-96	97	96	96.06
BCE / BCT 3-108	109	108	108.06
BCE / BCT 3-120	119	118	118.06
BCE / BCT 3-132	134	133	133.06
BCE / BCT 4-144	146	145	145.06



TOP



FRONT



BOTTOM

