

## ► BPA | INSTALLATION

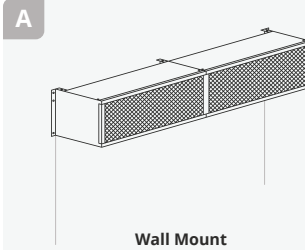


### NOTE

The air curtain should be mounted as close to the door header/opening as possible for maximum performance. For every one inch the bottom of the air curtain is mounted above the door header, the back side of the air curtain should be moved away from the wall ½ inch.

### A WALL MOUNT

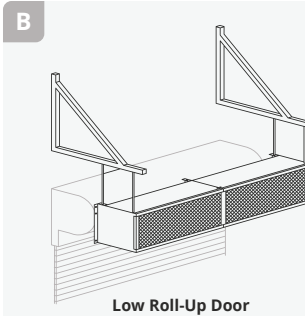
Rear flanges of air curtain have six holes, for six 1/2 inch bolts or lags with washers. When wall mounting use all six holes.



### B MOUNTING BRACKETS

Mounting brackets (also called knee, angle or L-brackets) can be flush to the wall or constructed to account for a projection from the wall. For proper size brackets measure standoff distance from wall to back of where air curtain will be.

If required, angle iron or steel tubing can be attached to the top of the air curtain, typically one foot longer at each end, to reach brackets that are mounted outside of the door system.



### C TOP MOUNT

Unit has four 17/32 holes for installing one end of 1/2 inch threaded rods. The other ends of the threaded rods can be attached to the ceiling. Washers or locknuts are recommended. Mounting structure should be of sufficient strength to hold air curtain, and hardware (supplied by others) should be of sufficient strength and quality to support the unit safely. Additional mounting holes are provided on larger units for buildings where structural support is not adequate for supporting the air curtain from ends only.

\*Powered Aire does not supply threaded rods.

