

## ▶ CHA-HW/ST | MECHANICAL DETAILS & DRAWINGS

CHA-HW/ST | Mechanical Information Table

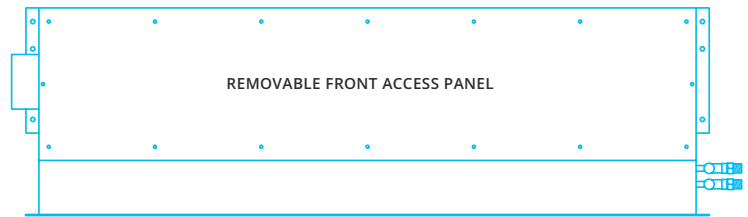
MODEL	Overall Width (in.)	Nozzle Width (in.)	Mounting Width (in.)
CHA-1-36HW/ST	39	36	37.5
CHA-1-48HW/ST	51	48	49.5
CHA-1-60HW/ST	63	60	61.5
CHA-2-72HW/ST	75.07	72.07	73.57
CHA-2-84HW/ST	87.07	84.07	85.57
CHA-2-96HW/ST	99.07	96.07	97.57
CHA-2-108HW/ST	111.07	108.07	109.57
CHA-3-108HW/ST	111.15	108.15	109.65
CHA-3-120HW/ST	123.15	120.15	121.65
CHA-3-132HW/ST	135.15	132.15	133.65
CHA-4-144HW/ST	147.22	144.22	145.72



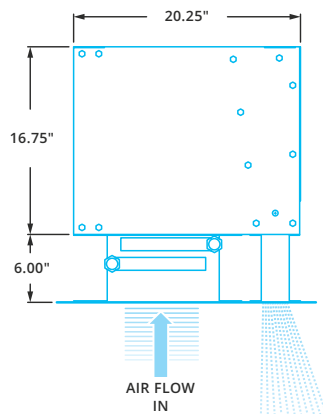
### NOTE

1. Installer is responsible for structurally sound mounting of the unit.
2. Verify that overall dimensions will fit in the opening.
3. Size steam trap (provided by others) by 3x's the manufacturer's recommended size for satisfactory operation.
4. Coil connections are shown on right hand side, but they can be located on either right or left side of unit.

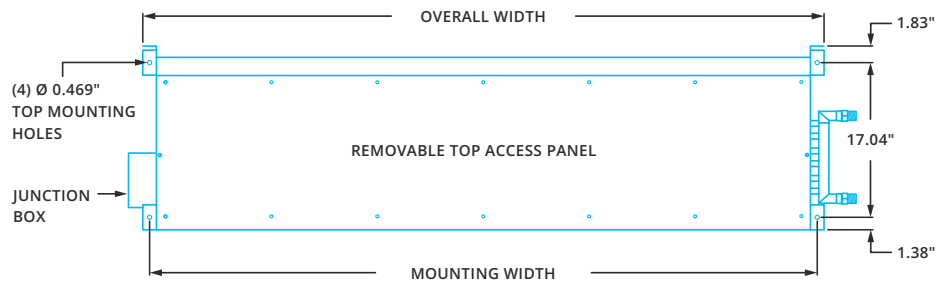
### FRONT



### SIDE



### TOP



### BOTTOM

