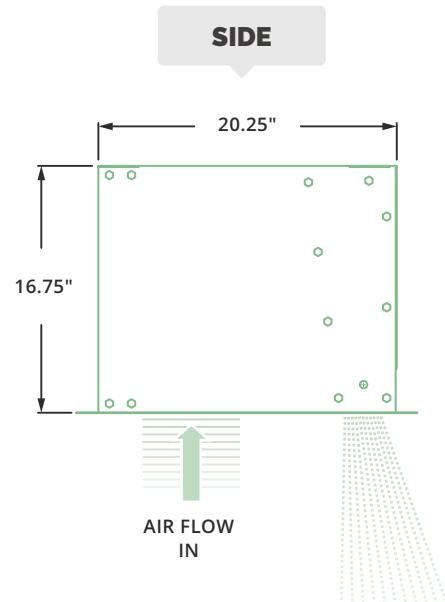


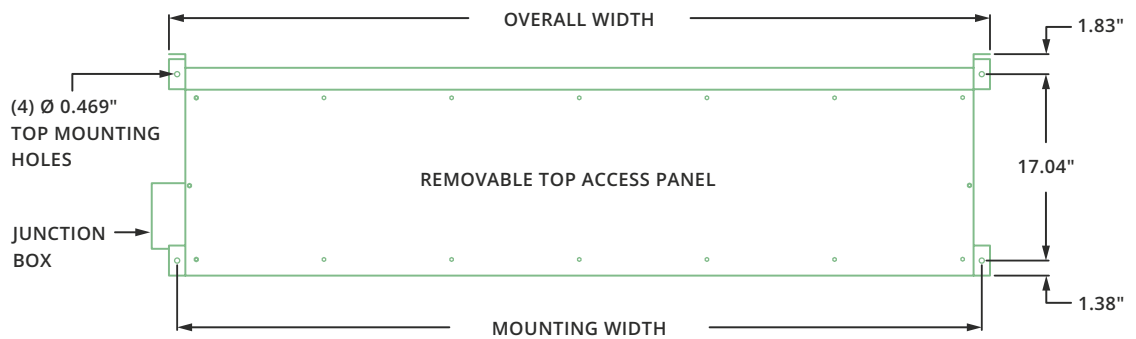
# ▶ CHD & CHD-E | MECHANICAL DETAILS & DRAWINGS

CHD & CHD-E | Mechanical Information Table

MODEL	Overall Width (in.)	Nozzle Width (in.)	Mounting Width (in.)
CHD-1-36 (E)	39	36	37.5
CHD-1-48 (E)	51	48	49.5
CHD-1-60 (E)	63	60	61.5
CHD-2-72 (E)	75.07	72.07	73.57
CHD-2-84 (E)	87.07	84.07	85.57
CHD-2-96 (E)	99.07	96.07	97.57
CHD-2-108 (E)	111.07	108.07	109.57
CHD-3-108 (E)	111.15	108.15	109.65
CHD-3-120 (E)	123.15	120.15	121.65
CHD-3-132 (E)	135.15	132.15	133.65
CHD-4-144 (E)	147.22	144.22	145.72



TOP



FRONT



BOTTOM

