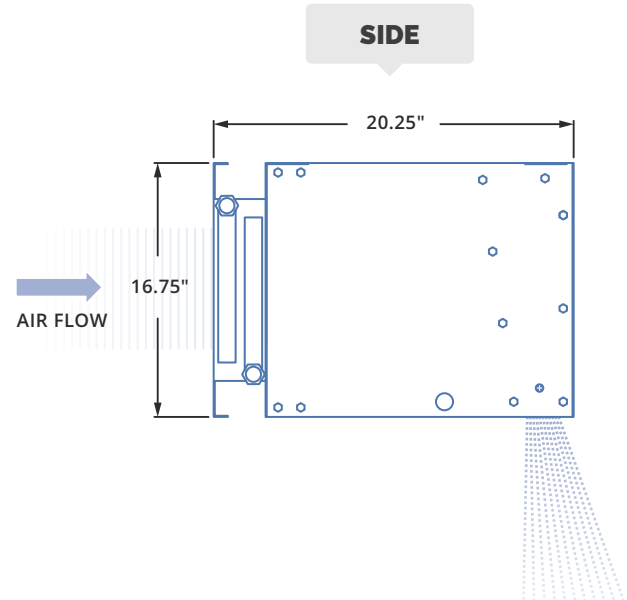


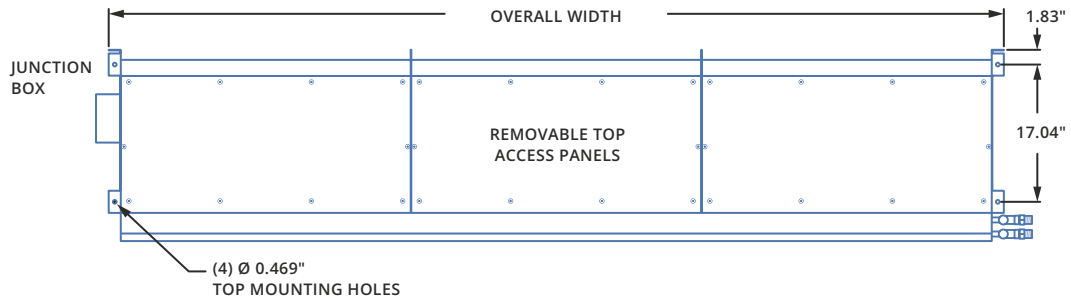
▶ CHS-HW/ST | MECHANICAL DETAILS & DRAWINGS

CHS-HW/ST | Mechanical Information Table

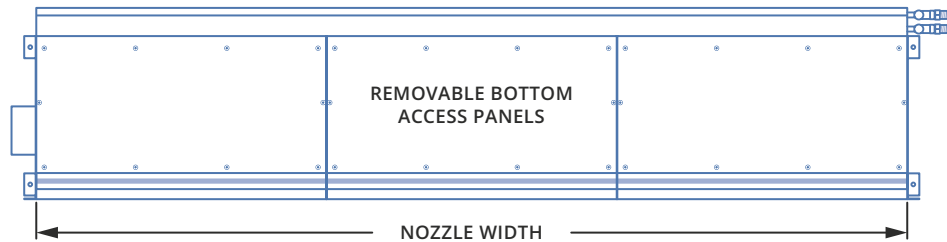
MODEL	Overall Width (in.)	Nozzle Width (in.)	Mounting Width (in.)
CHS-1-36HW/ST	39	36	37.5
CHS-1-48HW/ST	51	48	49.5
CHS-1-60HW/ST	63	60	61.5
CHS-2-72HW/ST	75.07	72.07	73.57
CHS-2-84HW/ST	87.07	84.07	85.57
CHS-2-96HW/ST	99.07	96.07	97.57
CHS-2-108HW/ST	111.07	108.07	109.57
CHS-3-108HW/ST	111.15	108.15	109.65
CHS-3-120HW/ST	123.15	120.15	121.65
CHS-3-132HW/ST	135.15	132.15	133.65
CHS-4-144HW/ST	147.22	144.22	145.72



TOP



BOTTOM



FRONT

