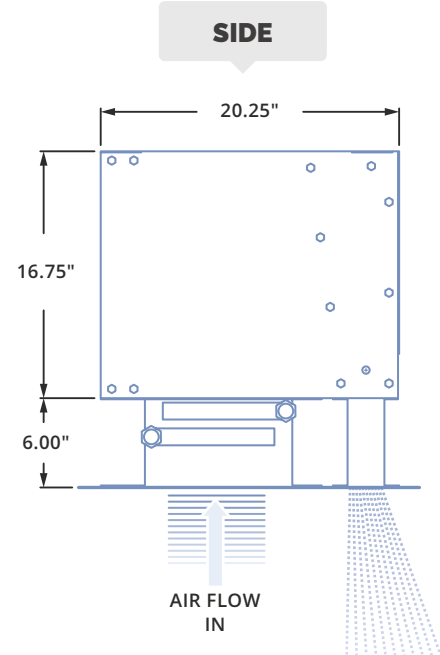


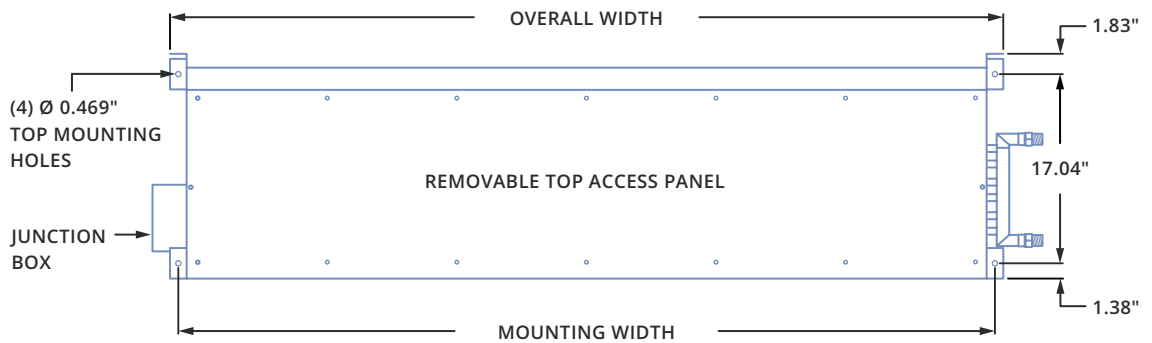
▶ CLD-HW/ST | MECHANICAL DETAILS & DRAWINGS

CLD-HW/ST | Mechanical Information Table

MODEL	Overall Width (in.)	Nozzle Width (in.)	Mounting Width (in.)
CLD-1-36HW/ST	39	36	37.5
CLD-1-48HW/ST	51	48	49.5
CLD-1-60HW/ST	63	60	61.5
CLD-2-72HW/ST	75.07	72.07	73.57
CLD-2-84HW/ST	87.07	84.07	85.57
CLD-2-96HW/ST	99.07	96.07	97.57
CLD-3-108HW/ST	111.15	108.15	109.65
CLD-3-120HW/ST	123.15	120.15	121.65
CLD-3-132HW/ST	135.15	132.15	133.65
CLD-4-144HW/ST	147.22	144.22	145.72



TOP



FRONT



BOTTOM

