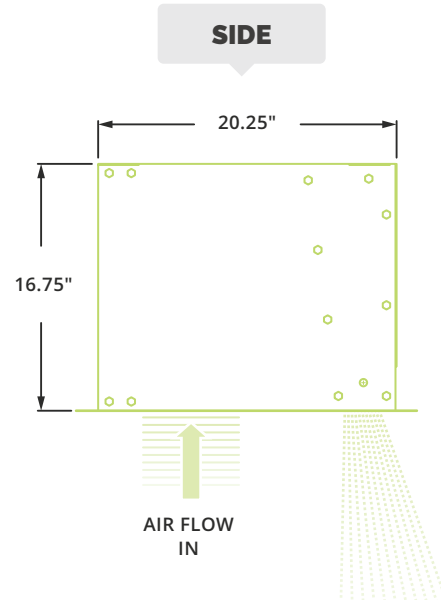


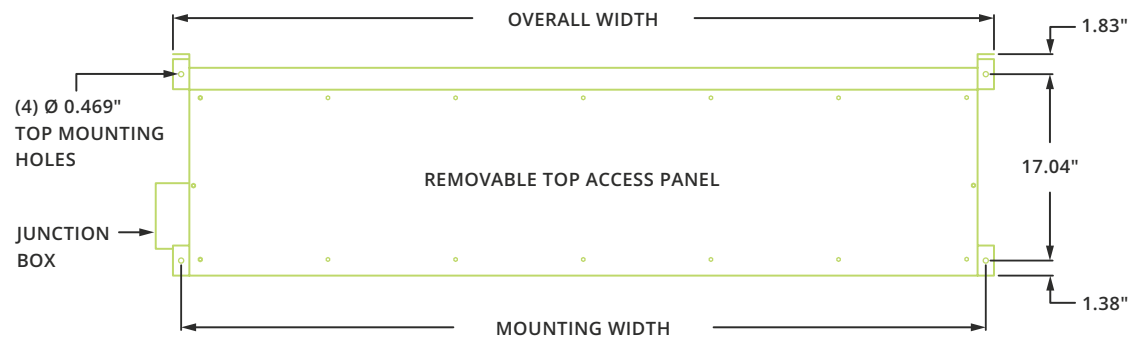
► ECC & ECC-E | MECHANICAL DETAILS & DRAWINGS

ECC & ECC-E | Mechanical Information Table

MODEL	Nozzle Width (in.)	Overall Width (in.)	Mounting Width (in.)
ECC-1-36 (E)	36	39	37.5
ECC-1-48 (E)	48	51	49.5
ECC-1-60 (E)	60	63	61.5
ECC-2-72 (E)	72.07	75.07	73.57
ECC-2-84 (E)	84.07	87.07	85.57
ECC-2-96 (E)	96.07	99.07	97.57
ECC-2-108 (E)	108.07	111.07	109.57
ECC-3-108 (E)	108.15	111.15	109.65
ECC-3-120 (E)	120.15	123.15	121.65
ECC-3-132 (E)	132.15	135.15	133.65
ECC-4-144 (E)	144.22	147.22	145.72



TOP



FRONT



BOTTOM

