

► EHD-DG | PERFORMANCE

EHD-DG | Direct Gas Heat Chart Information Table

MODEL	Heater Output mbtu / hr	Max. Output Temp. (° F)	Weight (lbs)
EHD-2-96DG	1042	105	1368
EHD-2-108DG	1077	105	1451
EHD-2-120DG	1111	105	1534
EHD-2-132DG	1194	105	1604
EHD-2-144DG	1277	105	1664
EHD-3-156DG	1598	105	2005
EHD-3-168DG	1681	105	2100
EHD-3-180DG	1715	105	2180
EHD-3-192DG	1798	105	2237



INFO

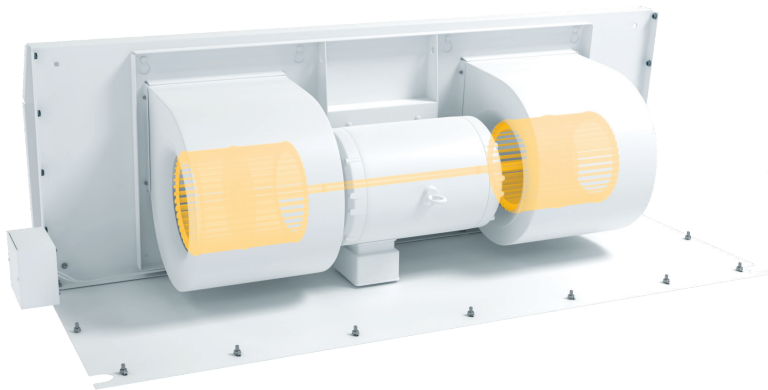
For additional EHD-DG performance information, reference performance table on page 176.

EHD-IG | Sound Levels

High Speed 71 dBA Measured 10 ft. from unit in a free field based on a 1 motor unit

EHD-IG | Three Phase Motor Options

Voltages available	208	240	480	575
Amp draw per motor	13.1	12.2	6.1	5.0



Performance Highlight

The air curtain is direct drive, which avoids misalignment of couplers and outboard bearings and eliminates periodic belt replacement.