

## ► EHD-IG | PERFORMANCE

### EHD-IG | Heating Information Table

Model	Input mbtu / hr per Heater	Number of Heaters	Total Output mbtu / Hour	Temp. Rise (°F)	Weight (lbs)
EHD-1-48IG	200	1	160	24	670
EHD-1-60IG	250	1	200	25	700
EHD-1-72IG	250	1	200	20	730
EHD-2-96IG	400	1	320	23	1205
EHD-2-108IG	400	1	320	22	1295
EHD-2-120IG	250	2	400	24	1378
EHD-2-132IG	250	2	400	23	1598
EHD-2-144IG	250	2	400	19	1650
EHD-3-156IG	350	2	560	26	1950
EHD-3-168IG	400	2	640	26	2005
EHD-3-180IG	400	2	640	26	2065
EHD-3-192IG	400	2	640	25	2120
EHD-3-204IG	400	2	640	25	2225
EHD-3-216IG	400	2	640	24	2278
EHD-4-228IG	350	3	840	27	2796
EHD-4-240IG	350	3	840	27	2865



### INFO

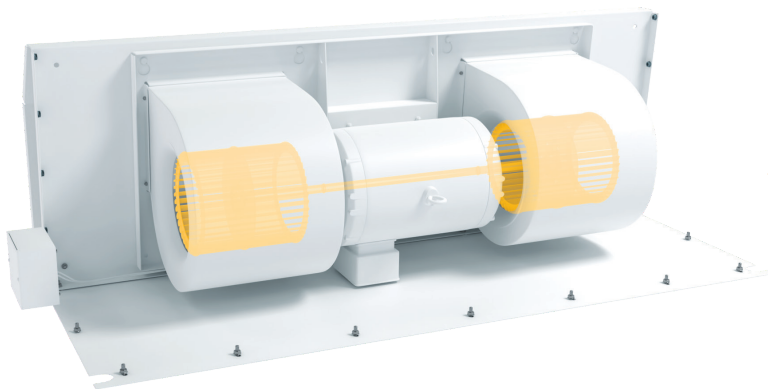
For additional EHD-IG performance information, reference performance table on page 176.

### EHD-IG | Sound Levels

**High Speed**      71 dBA      Measured 10 ft. from unit in a free field based on a 1 motor unit

### EHD-IG | Three Phase Motor Options

<b>Voltages available</b>	208	240	480	575
<b>Amp draw per motor</b>	17	15.8	7.9	6.3



### Performance Highlight

The air curtain is direct drive, which avoids misalignment of couplers and outboard bearings and eliminates periodic belt replacement.