

## ► EHD-IG | MECHANICAL DETAILS & DRAWINGS (1 HEATER)

**EHD-IG | 1-Heater Mechanical Information Table**

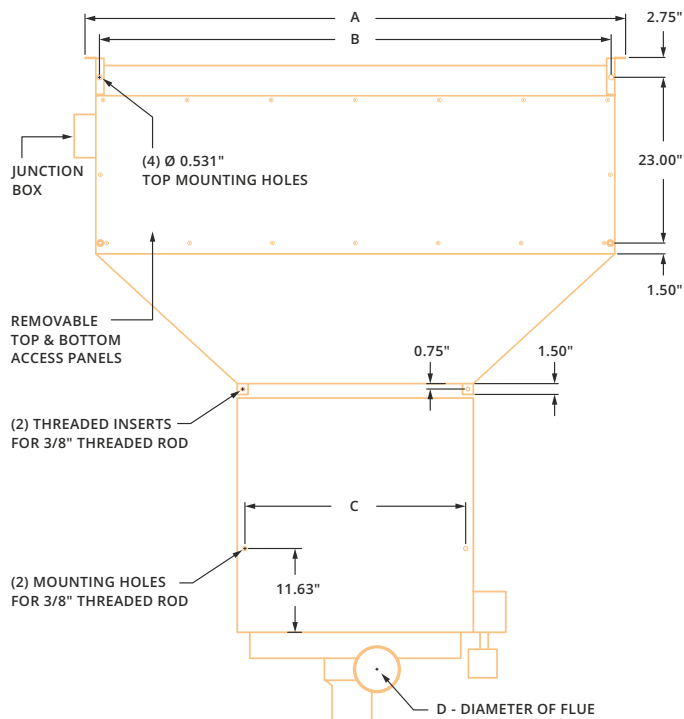
MODEL	Air Curtain Width - A (in.)	Mounting Width - B (in.)	Hanging Width - C (in.)	Flue Diameter - D (in.)	Heater Size	Gas Inlet (in.)
EHD-1-48IG	51	47	30.63	5	200	0.5
EHD-1-60IG	63	59	30.63	5	250	0.75
EHD-1-72IG	75	71	30.63	5	250	0.75
EHD-2-96IG	99.13	95.13	48.63	6	400	0.75
EHD-2-108IG	111.13	107.13	48.63	6	400	0.75



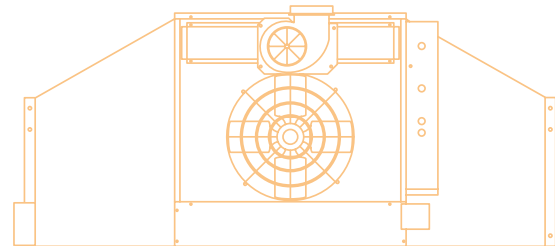
### NOTES

1. Verify that overall dimensions will fit in the opening.
2. Adequacy of support structure to be verified by a professional structural engineer.
3. Air curtain to be installed so that the air stream is unobstructed.

### TOP



### FRONT



### SIDE

