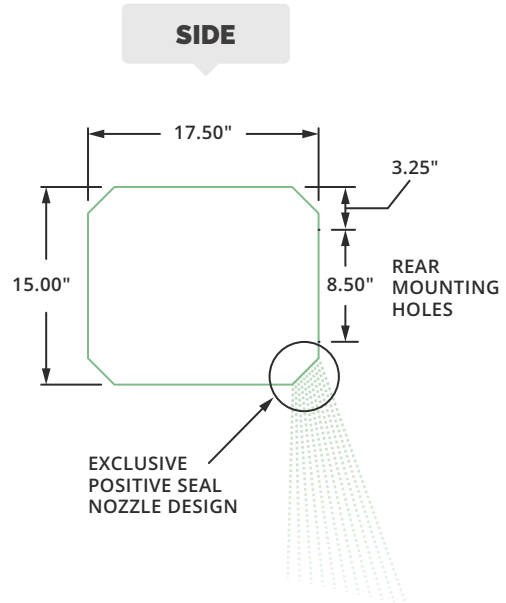


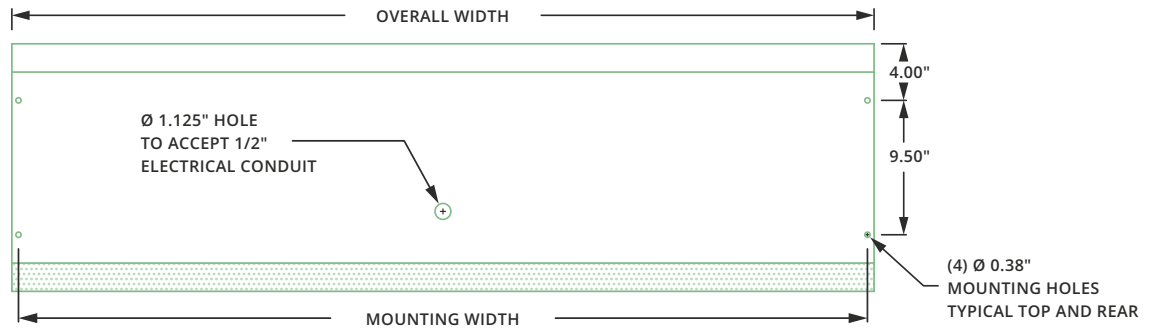
## ▶ ETD & ETD-E | MECHANICAL DETAILS & DRAWINGS

ETD & ETD-E | Mechanical Information Table

MODEL	Overall Width (in.)	Nozzle Width (in.)	Mounting Width (in.)
ETD-1-36 (E)	37	36	36.06
ETD-1-42 (E)	43	42	42.06
ETD-1-48 (E)	49	48	48.06
ETD-1-60 (E)	61	60	60.06
ETD-2-60 (E)	61	60	60.06
ETD-2-72 (E)	73	72	72.06
ETD-2-84 (E)	85	84	84.06
ETD-2-96 (E)	97	96	96.06
ETD-3-108 (E)	109	108	108.06
ETD-3-120 (E)	119	118	118.06
ETD-3-132 (E)	134	133	133.06
ETD-4-144 (E)	146	145	145.06



**TOP**



**FRONT**



**BOTTOM**

