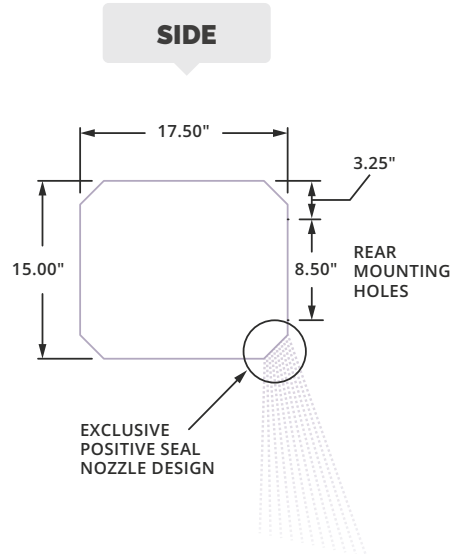


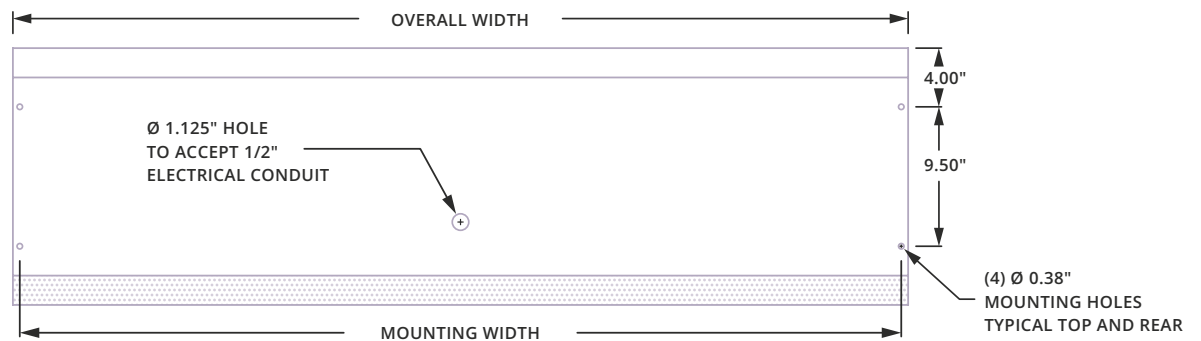
► LDC | MECHANICAL DETAILS & DRAWINGS

LDC | Mechanical Information Table

MODEL	Overall Width (in.)	Nozzle Width (in.)	Mounting Width Top and Rear (in.)
LDC-1-36	37	36	36.06
LDC-1-42	43	42	42.06
LDC-1-48	49	48	48.06
LDC-1-60	61	60	60.06
LDC-2-72	73	72	72.06
LDC-2-84	85	84	84.06
LDC-2-96	97	96	96.06
LDC-3-108	109	108	108.06
LDC-3-120	119	118	118.06
LDC-3-132	134	133	133.06
LDC-4-144	146	145	145.06



TOP



FRONT



BOTTOM

