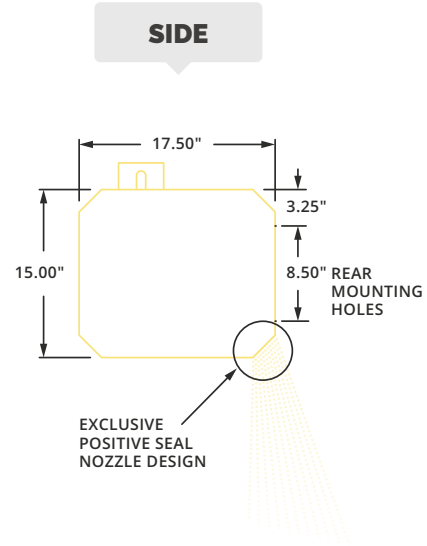


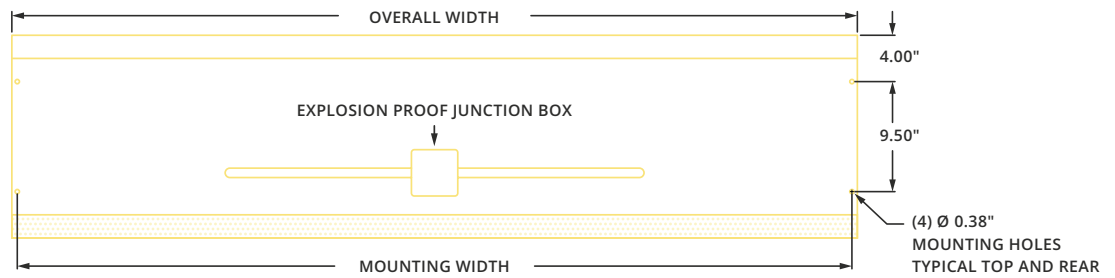
## ► LDX | MECHANICAL DETAILS & DRAWINGS

**LDX | Mechanical Information Table**

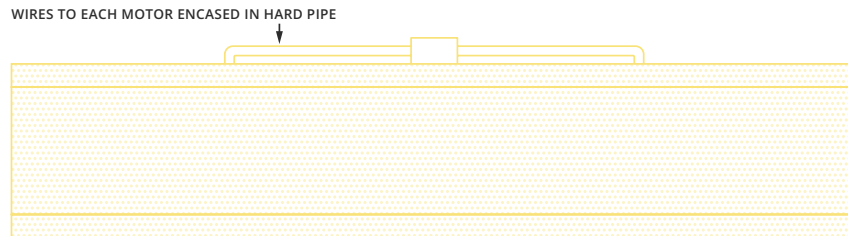
MODEL	Overall Width (in.)	Nozzle Width (in.)	Mounting Width Top and Rear (in.)
LDX-1-36	37	36	36.06
LDX-1-42	43	42	42.06
LDX-1-48	49	48	48.06
LDX-1-60	61	60	60.06
LDX-2-72	73	72	72.06
LDX-2-84	85	84	84.06
LDX-2-96	97	96	96.06
LDX-3-108	109	108	108.06
LDX-3-120	119	118	118.06
LDX-3-132	134	133	133.06
LDX-4-144	146	145	145.06



**TOP**



**FRONT**



**BOTTOM**

