

► RBT | PERFORMANCE

RBT | Performance Table

MODEL	Nozzle Width (in.)	Max. FPM at Nozzle	Avg. FPM	Max. CFM	CFM at Nozzle	Outlet Velocity Uniformity	Number of Motors	Motor HP	Weight (lbs)
RBT-1-36	36	4218	3695	2899	2541	95%	1	3/4	90
RBT-1-42	42	4218	3169	3384	2532	93%	1	3/4	97
RBT-1-48	48	4218	2771	3867	2559	92%	1	3/4	104
RBT-1-60	60	4218	2218	4374	2528	91%	1	3/4	117
RBT-2-60	60	4218	3315	5050	3812	95%	2	3/4	147
RBT-2-72	72	4218	3696	5803	5082	95%	2	3/4	169
RBT-2-84	84	4218	3169	6766	5063	93%	2	3/4	187
RBT-2-96	96	4218	2773	7732	5081	92%	2	3/4	203
RBT-3-108	108	4218	3702	8702	7623	95%	3	3/4	245
RBT-3-120	118	4218	3174	9668	7614	94%	3	3/4	274
RBT-3-132	133	4218	2792	10853	7589	95%	3	3/4	290
RBT-4-144	145	4218	3696	11606	10164	95%	4	3/4	338

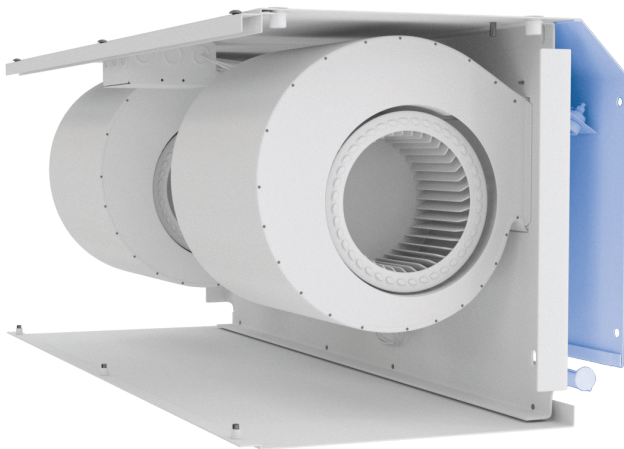
! For a unit over 12 feet long, consult factory.

RBT | Sound Levels

Normal Speed 63 dBA Measured 10 ft. from unit in a free field based on a 1 motor unit

RBT | Single Phase Motor Options

Voltages available	120	208/230
Amp draw per motor	8.0	3.6



Performance Highlight

Both important and perfect for insect control, the blowers are pointed toward the back of the air curtain. Here they fill a specially designed plenum. When the plenum is pressurized, the air is then forced out evenly across the entire length of the plenum discharge leaving no gaps in the curtain of air.