

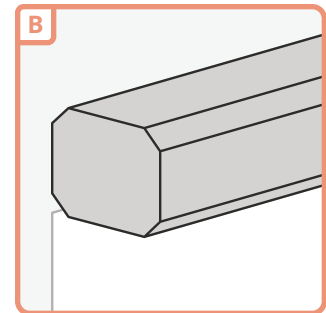
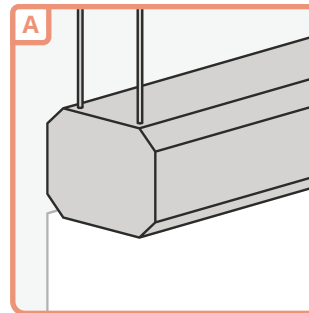
► RMP | INSTALLATION

! IMPORTANT

- ✓ Trained and experienced mechanic / electrician required.
- ✓ NOTE: The air curtain should be mounted as close to the door header/opening as possible for maximum performance. For every one inch the bottom of the air curtain is mounted above the door header, the back side of the air curtain should be moved away from the wall 1/2 inch.
- ✓ **WARNING:** Risk of electrical shock, can cause injury or death: Disconnect all remote electrical supplies before servicing.
- ✓ Units must be field wired in accordance with all applicable local, state, provincial and national codes, including wire size and materials.
- ✓ All hardware and brackets must be of sufficient strength to safely support air curtain.
- ✓ The unit is to be installed such that the bottom of the air curtain is no more than 10 ft. above the finished floor in order to comply with the NSF/ANSI 37 standard. The air curtain shall be at least as wide as the opening to be protected.

A TOP MOUNT

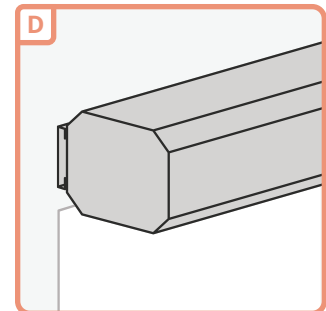
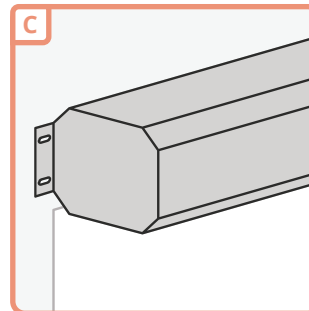
Unit has four 3/8 - 16 threaded inserts for installing one end of threaded rods. The other ends of the threaded rods can be attached to the ceiling. Threaded rod should not extend more than 3/4 inch into air curtain.



B WALL MOUNT

Back side of air curtain has 4 mounting holes capable of accepting four 3/8 mounting bolts or lags, with washers (use these holes only for mounting). Mark and pre-drill mounting surface accurately. A long extension and ratchet will negate the need to remove the motor/blower plate when installing. Mounting bolts or lags of sufficient size and strength should be installed and tightened through the four slots in motor/blower plate.

If motor/blower plate has to be removed, the junction box inside the unit must be removed along with any electrical switches that may be in the way. Remove 7/16 whizlock nuts holding plate in place, and slide plate out, rotating top portion of plate so it comes out first. Remember when installing plate to put bottom of plate in first and push and rotate top in last.



C EXTENSION BRACKETS (WALL MOUNT)

Extension brackets bolt on to the back of the unit, utilizing the 4 original mounting holes, and allowing for external mounting of unit to wall. Brackets have elongated mounting slots that extend the mounting width by 2½ to 3½ inches.

D LP123 BRACKETS

Universal mounting slots are used to lag the bracket to the wall (bolts by others). 3/8" mounting bolts (supplied) are threaded into the holes located in all four corners of the back side of the air curtain, leaving 1/2" of the bolts exposed.