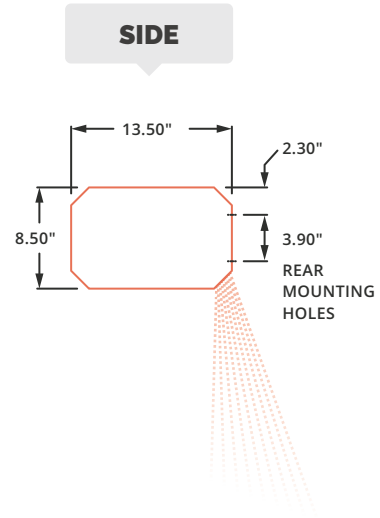


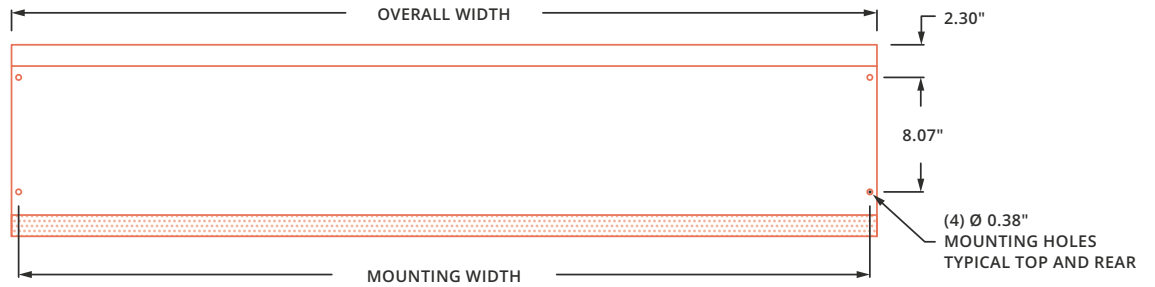
► RMP | MECHANICAL DETAILS & DRAWINGS

RMP | Mechanical Information Table

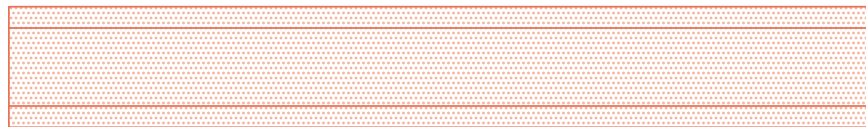
MODEL	Overall Width (in.)	Mounting Width (in.)	Nozzle Width (in.)
RMP-1-30	31	30	29
RMP-1-36	37	36	35
RMP-1-42	43	42	41
RMP-1-48	49	48	47
RMP-1-60	61	60	59
RMP-2-72	73	72	71
RMP-2-84	85	84	83
RMP-2-96	97	96	95
RMP-2-108	109	108	107
RMP-2-120	119	118	117



TOP



FRONT



BOTTOM

