

## ▶ TDG | PERFORMANCE

### TDG | Performance Table

MODEL	Nozzle Width (In.)	Max. FPM at Nozzle	Max. CFM at Nozzle	Avg. FPM at Nozzle	CFM at Nozzle	Outlet Velocity Uniformity	Number of Motors	Motor HP	Heater Output mbtu / hr	Max. Output Temp. (°F)	Weight (lbs)
TDG-2-72	72	4218	5803	3696	5082	95%	2	3/4	576	105	499
TDG-2-84	84	4218	6766	3169	5063	93%	2	3/4	574	105	547
TDG-2-96	96	4218	7732	2773	5081	92%	2	3/4	576	105	593
TDG-3-108	108	4218	8702	3702	7623	92%	3	3/4	865	105	593
TDG-3-120	120	4218	9668	3174	7614	95%	3	3/4	864	105	655
TDG-3-132	132	4218	10853	2792	7589	94%	3	3/4	861	105	775
TDG-4-144	144	4218	11606	3696	10164	95%	4	3/4	1,153	105	858

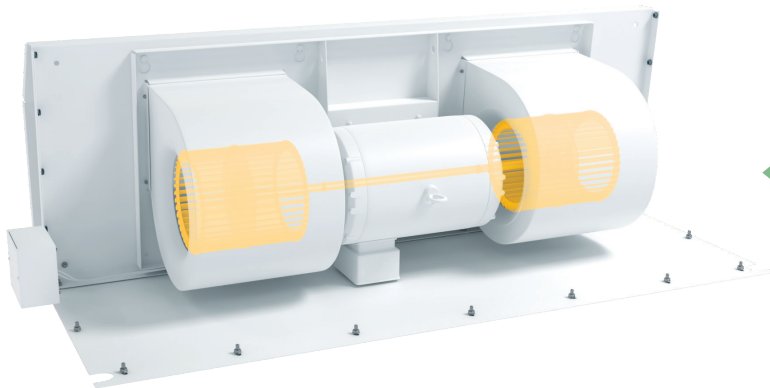
**!** For a unit over 12 feet long, consult factory.

### TDG | Sound Levels

**High Speed**      63 dBA      Measured 10 ft. from unit in a free field based on a 1 motor unit

### TDG | Single Phase Motor Options

<b>Voltages available</b>	208	240	480	575	For three phase motors, consult factory
<b>Amp draw per motor</b>	3.0	2.8	1.5	1.1	



### Performance Highlight

The air curtain is direct drive, which avoids misalignment of couplers and outboard bearings and eliminates periodic belt replacement.