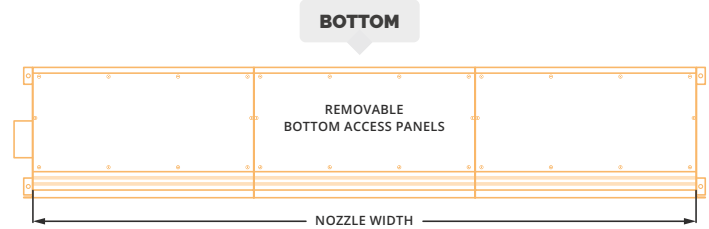
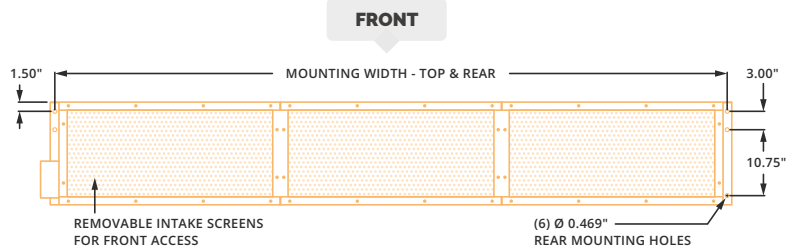
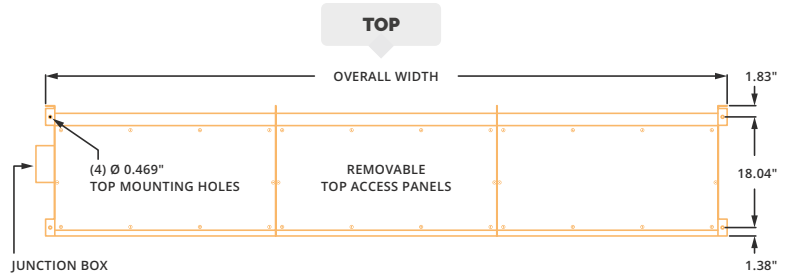
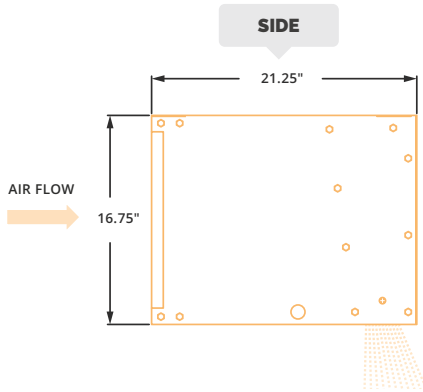


▶ TFD MECHANICAL DRAWINGS



▶ TFD-HW/ST MECHANICAL DRAWINGS

