

## ► TSD-DG | PERFORMANCE

### TSD-DG | Heating Information Table

Model	Heater Output mbtu / hr	Max. Output Temp. (°F)	Weight (lbs)
TSD-2-96DG	1042	105	1301
TSD-2-108DG	1077	105	1389
TSD-2-120DG	1111	105	1477
TSD-2-132DG	1194	105	1547
TSD-2-144DG	1277	105	1607
TSD-3-144DG	1564	105	1830
TSD-3-156DG	1598	105	1918
TSD-3-168DG	1681	105	1998
TSD-3-180DG	1715	105	2086
TSD-3-192DG	1798	105	2156
TSD-4-192DG	2085	105	2379



### INFO

For additional TSD-DG performance information, reference performance table on page 156.

### TSD | Velocity Projection Model (Model TSD-1-48)

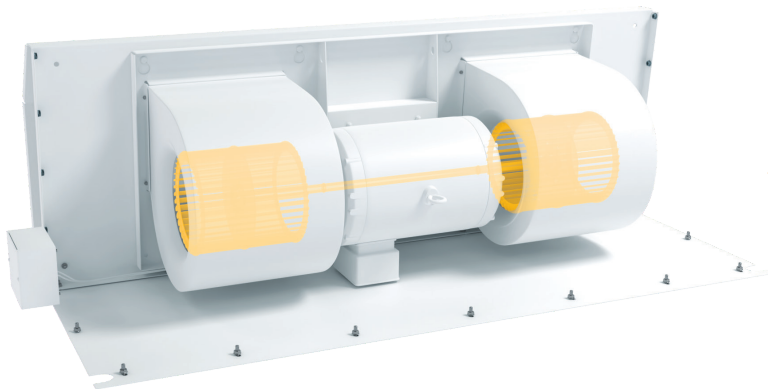
Distance From Nozzle	40 in.	80 in.	120 in.	160 in.	200 in.
Core Velocity (fpm)	3020	2060	1710	1420	1225

### TSD-DG | Sound Levels

High Speed	69 dBA	Measured 10 ft. from unit in a free field based on a 1 motor unit
------------	--------	---

### TSD-DG | Three-Phase Motor Options

Voltages available	208	240	480	575
Amp draw per motor	13.1	12.2	6.1	5.0



### Performance Highlight

The air curtain is direct drive, which avoids misalignment of couplers and outboard bearings and eliminates periodic belt replacement.