

# ► TSD-IG | MECHANICAL DETAILS & DRAWINGS (3 HEATER)

TSD-IG | 3-Heater Mechanical Information Table

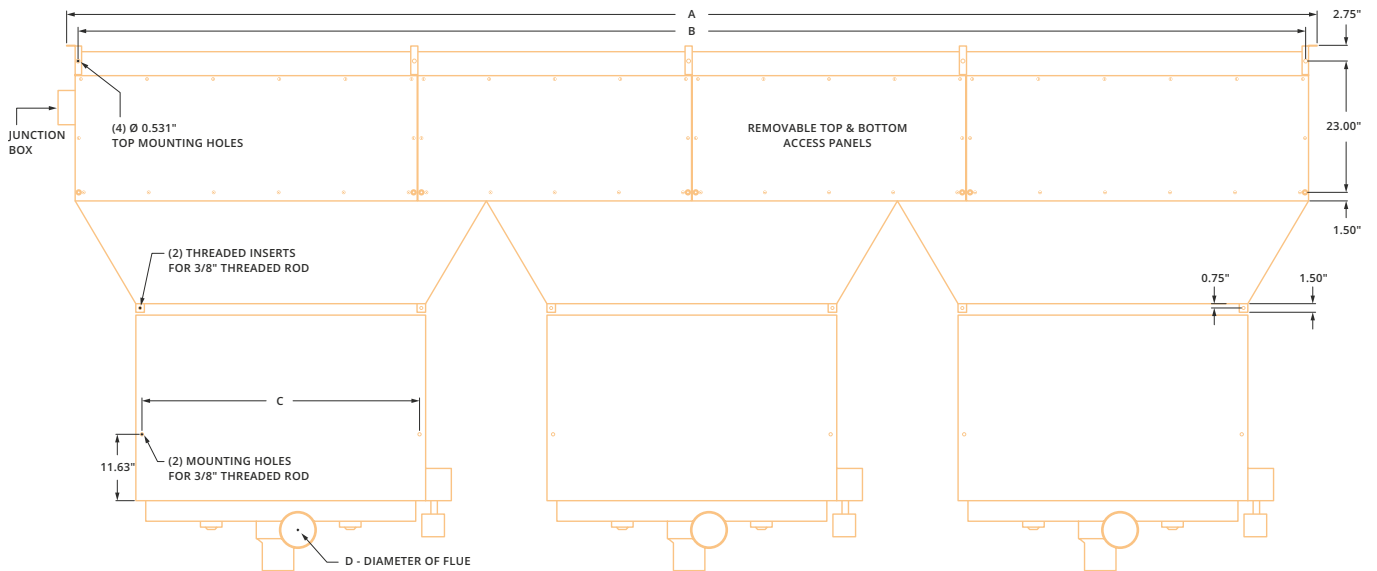
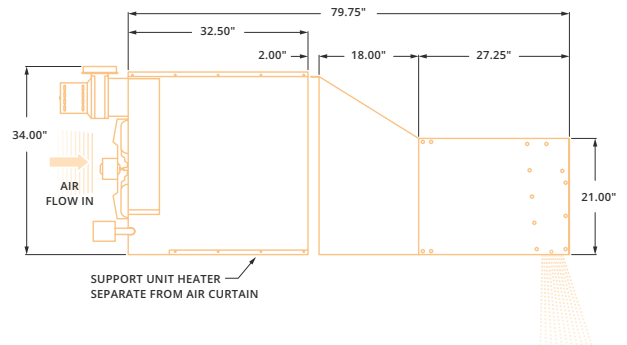
MODEL	Air Curtain Width - A (in.)	Mounting Width - B (in.)	Hanging Width - C (in.)	Flue Diameter - D (in.)	Heater Size	Gas Inlet (in.)
TSD-4-228IG	231.38	227.38	48.63	6	3 × 350	0.75
TSD-4-240IG	243.38	239.38	48.63	6	3 × 350	0.75
TSD-5-240IG	243.5	239.5	48.63	6	3 × 350	0.75



## NOTES

1. Verify that overall dimensions will fit in the opening.
2. Adequacy of support structure to be verified by a professional structural engineer.
3. Air curtain to be installed so that the air stream is unobstructed.

**SIDE**



**TOP**

**FRONT**

