

XC Performance and Dimensional Data - Convertible Venting Type Tubular Blower Unit Heater

Unit Capacity (MBH)	100	125	150	175	200	250	300	350	400
PERFORMANCE DATA†									
Input - BTU/Hr.	100,000	125,000	150,000	175,000	200,000	250,000	300,000	350,000	400,000
(kW)	(29.3)	(36.6)	(44.0)	(51.3)	(58.6)	(73.3)	(87.9)	(102.6)	(117.2)
Output - BTU/Hr.	83,000	103,750	124,500	145,250	166,000	207,500	246,000	290,500	332,000
(kW)	(24.3)	(30.4)	(36.5)	(42.6)	(48.6)	(60.8)	(72.1)	(85.1)	(97.3)
Thermal Efficiency - %	83	83	83	83	83	83	82	83	83
Free Air Delivery - CFM	1,181	1,476	1,771	2,067	2,362	2,953	3,501	4,134	4,724
(cu. m/s)	(0.557)	(0.697)	(0.836)	(0.976)	(1.115)	(1.394)	(1.652)	(1.951)	(2.230)
Air Temperature Rise - Deg. F	65	65	65	65	65	65	65	65	65
(Deg. C)	(36)	(36)	(36)	(36)	(36)	(36)	(36)	(36)	(36)
Outlet Velocity - FPM	370	463	555	395	451	564	422	498	570
(m/s)	(1.879)	(2.351)	(2.819)	(2.006)	(2.291)	(2.864)	(2.143)	(2.529)	(2.895)
Full Load Amps at 115V	7.3	9.4	9.4	14.2	14.2	15.6	15.6	20.8	20.8
Min. Circuit Ampacity at 115V	8.6	11.2	11.2	17.1	17.1	18.9	18.9	25.4	25.4
MOTOR DATA:									
Motor HP	1/4	1/2	1/2	3/4	3/4	1	1	1-1/2	1-1/2
Motor kW	0.19	0.37	0.37	0.56	0.56	0.75	0.75	1.11	1.11
Motor Type ODP**	SPH	SPH	SPH	SPH	SPH	Cap. Start	Cap. Start	Cap. Start	Cap. Start
RPM	1,725	1,725	1,725	1,725	1,725	1,725	1,725	1,725	1,725
Amps @ 115V††	5.1	7.2	7.2	11.6	11.6	13.0	13.0	18.2	18.2
DIMENSIONAL DATA - inches (mm)									
"A" Height to Top of Flue	33-3/4 (857)	33-3/4 (857)	33-3/4 (857)	33-3/4 (857)	33-3/4 (857)	33-3/4 (857)	34 (864)	34 (864)	34 (864)
"B" Jacket Width of Unit	20-3/4 (527)	20-3/4 (527)	20-3/4 (527)	32-3/4 (832)	32-3/4 (832)	32-3/4 (832)	50-3/4 (1289)	50-3/4 (1289)	50-3/4 (1289)
"C" Width to Centerline Flue	13-3/8 (340)	13-3/8 (340)	13-3/8 (340)	19-3/8 (492)	19-3/8 (492)	19-3/8 (492)	28-3/8 (721)	28-3/8 (721)	28-3/8 (721)
"D" Depth to Front Hanger	21 (533)	21 (533)	21 (533)	21 (533)	21 (533)	21 (533)	21 (533)	21 (533)	21 (533)
"E" Hanging Distance Width	18-5/8 (473)	18-5/8 (473)	18-5/8 (473)	30-5/8 (778)	30-5/8 (778)	30-5/8 (778)	48-5/8 (1235)	48-5/8 (1235)	48-5/8 (1235)
"F" Hanging Distance Depth	19 (483)	19-1/2 (495)	19-1/2 (495)	32-3/4 (832)	32-3/4 (832)	32-3/4 (832)	23-1/2 (597)	32-3/4 (832)	32-3/4 (832)
"G" Discharge Opening Width	18-3/4 (476)	18-3/4 (476)	18-3/4 (476)	30-3/4 (781)	30-3/4 (781)	30-3/4 (781)	48-3/4 (1238)	48-3/4 (1238)	48-3/4 (1238)
"H" Depth to Centerline Flue	4-3/4 (121)	4-3/4 (121)	4-3/4 (121)	4-3/4 (121)	4-3/4 (121)	4-3/4 (121)	5-1/8 (130)	5-1/8 (130)	5-1/8 (130)
"M" Overall Unit Width	25-1/4 (641)	25-1/4 (641)	25-1/4 (641)	37-1/4 (946)	37-1/4 (946)	37-1/4 (946)	55-1/4 (1403)	55-1/4 (1403)	55-1/4 (1403)
"P" Overall Unit Depth	49-3/4 (1264)	49-3/8 (1254)	49-3/8 (1254)	56-1/8 (1426)	56-1/8 (1426)	56-1/8 (1426)	53-3/8 (1356)	56-1/8 (1426)	56-1/8 (1426)
"R" Blower Hanging Bracket Width	12 (305)	13-1/4 (337)	13-1/4 (337)	15-3/4 (400)	15-3/4 (400)	15-3/4 (400)	32-5/8 (829)	39 (991)	39 (991)
Combustion Air Inlet Dia. (Qty) - in (mm)	5 (127)	5 (127)	5 (127)	5 (127)	5 (127)	5 (127)	5 (2) (127)	5 (2) (127)	5 (2) (127)
*Flue Size Diameter - in (mm)	5 (127)	5 (127)	5 (127)	5 (127)	5 (127)	5 (127)	6 (152)	6 (152)	6 (152)
Gas Inlet, Natural Gas - in	1/2	1/2	1/2	1/2	1/2	1/2	3/4	3/4	3/4
Gas Inlet, LP Gas - in	1/2	1/2	1/2	1/2	1/2	1/2	3/4	3/4	3/4
Approximate Unit Weight - lb (kg)	173 (78)	177 (80)	204 (92)	248 (112)	267 (121)	292 (132)	374 (170)	394 (179)	433 (196)
Approximate Ship Weight - lb (kg)	258 (117)	263 (119)	291 (132)	384 (174)	403 (183)	428 (194)	524 (238)	551 (250)	599 (272)



† Ratings shown are for unit installations at elevations between 0 and 2,000 ft (0 to 610m). For unit installations in U.S.A. above 2,000 ft. (610m), the unit input must be field derated 4% for each 1,000 ft. (305m) above sea level; refer to local codes, or in absence of local codes, refer to the latest edition of the National Fuel Gas Code, ANSI Standard Z223.1 (N.F.P.A. No. 54).

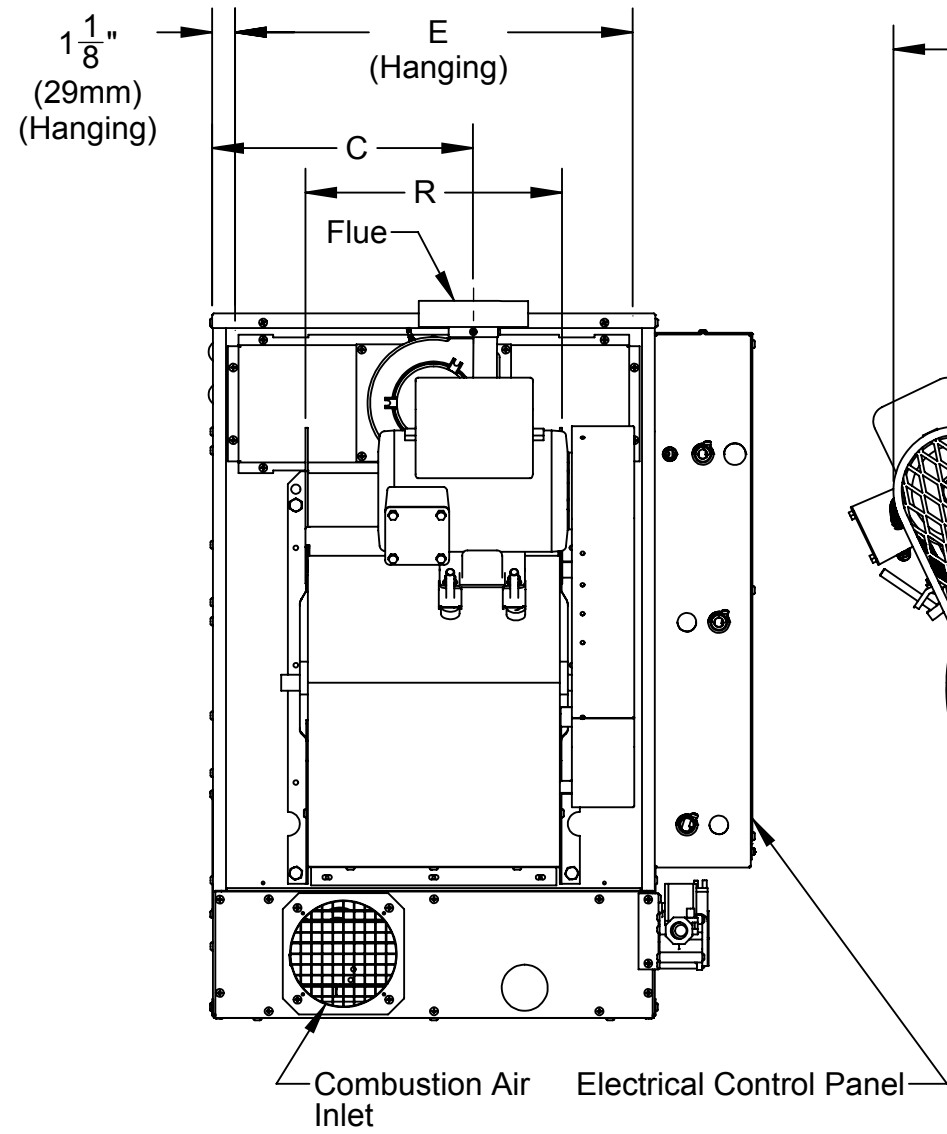
For installations in Canada, any reference to deration at altitudes in excess of 2,000 ft. (610m) are to be ignored. At altitudes of 2,000 ft. to 4,500 ft. (610 to 1372m), the unit must be field derated to 90% of the normal altitude rating, and be so marked in accordance with the ETL certification.

†† See Table 5 for ODP motor full load amp values at non-standard voltages.

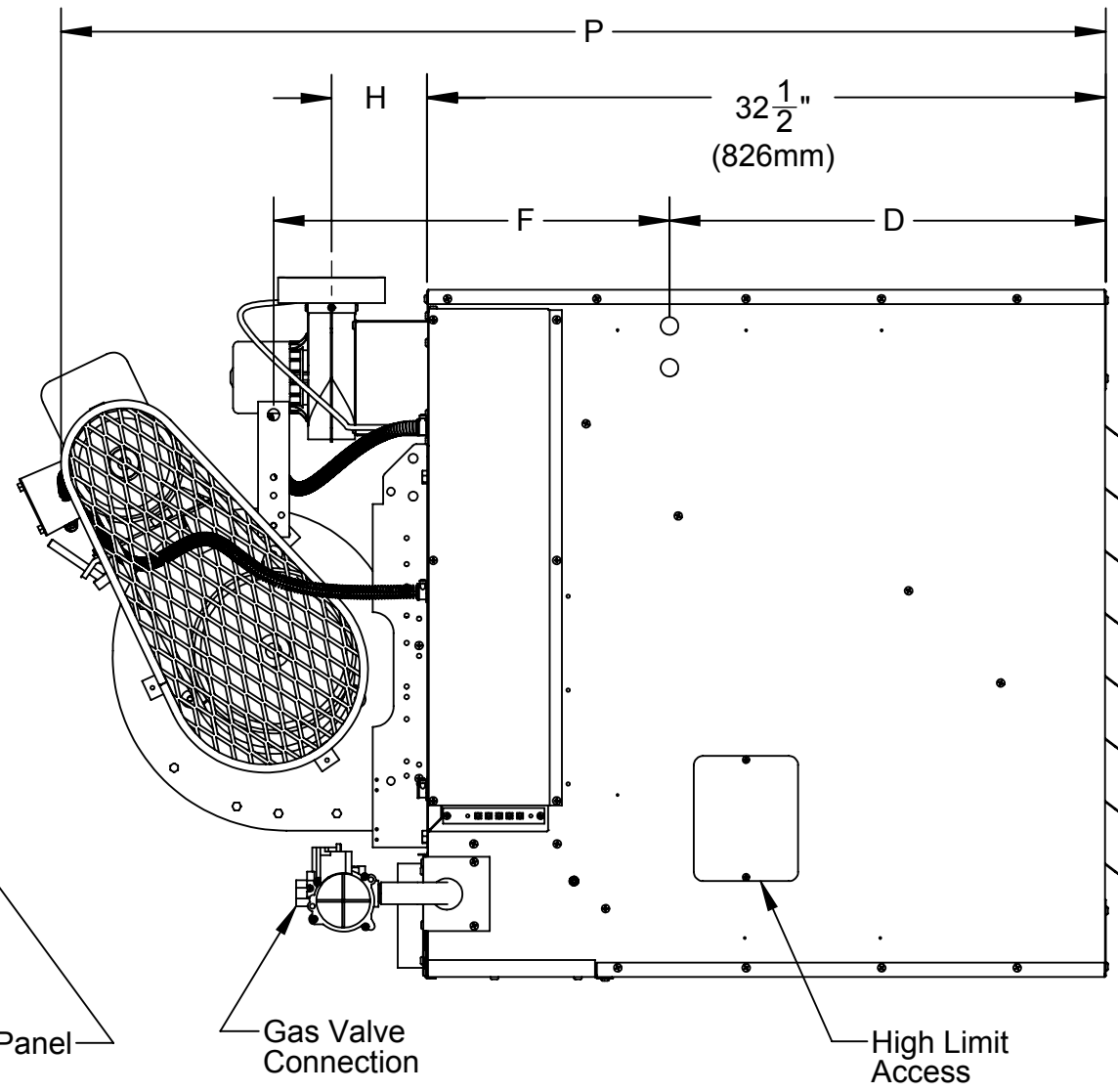
* Flue collar is factory supplied with unit; to be field installed per included instructions.

** LEGEND: SPH = SPLIT PHASE CAP. START = CAPACITOR START ODP = OPEN DRIP PROOF

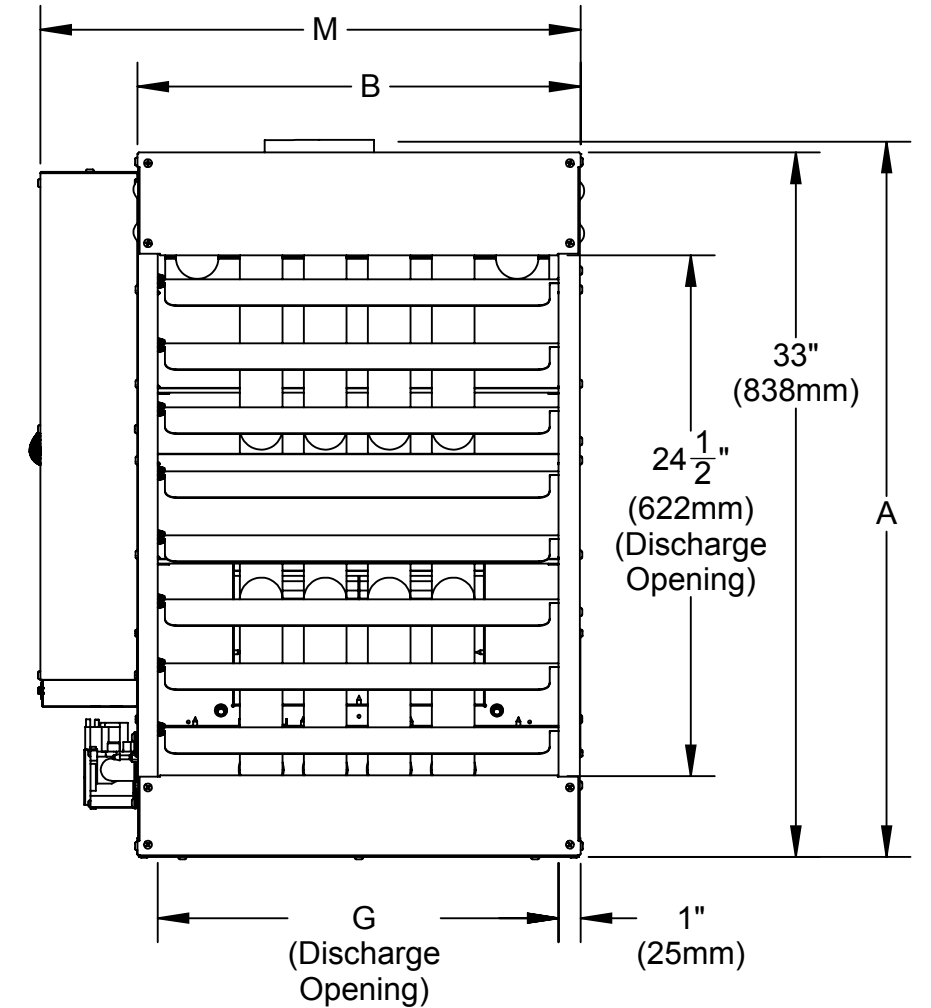
**Contact Powered Aire at
 TechnicalSupport@PoweredAire.com or call
 1-888-321-2473 with any questions.**



Rear View



Side View



Front View

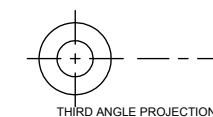
CAT-10365_B

Contact Powered Aire at
TechnicalSupport@PoweredAire.com or call
 1-888-321-2473 with any questions.



XC

DRAWN BY	RWG	DATE	06/04/19	DIVISION	Powered Aire
CHECKED BY	AAP	DATE	06/04/19	PRODUCT	XC
APPROVED BY	DP	DATE	06/04/19	PART NUMBER	CAT-10365
DRAWING DESCRIPTION					
CATALOG, XC DIMENSIONAL DRAWING					



THIRD ANGLE PROJECTION

UNLESS OTHERWISE SPECIFIED		DO NOT SCALE DRAWING	
ALL DIMENSIONS ARE IN INCHES			
TOLERANCES			
.X	= .030	BREAK EDGE	= .005/.015
.XX	= .010	RADII	= .040/.060
.XXX	= .005	ANGLE	= ± 5°
.XXXX	= .0010		
SURFACE FINISH = 125 RMS		PERFECT FORM @MMC	
DRAWING NUMBER	10365	PROTOTYPE PART NUMBER	N/A
SHEET	1 OF 1	SHEET SIZE	B
SCALE	1:9	REVISION	B

XF Performance and Dimensional Data - Convertible Venting Type Tubular Propeller Unit Heater

Unit Capacity (MBH)	100	125	150	175	200	250	300	350	400
PERFORMANCE DATA†									
Input - BTU/Hr.	100,000	125,000	150,000	175,000	200,000	250,000	300,000	350,000	400,000
(kW)	(29.3)	(36.6)	(43.9)	(51.2)	(58.6)	(73.2)	(87.8)	(102.5)	(117.1)
Output - BTU/Hr.	83,000	103,750	124,500	145,250	166,000	207,500	249,000	290,500	332,000
(kW)	(24.3)	(30.4)	(36.4)	(42.5)	(48.6)	(60.7)	(72.9)	(85.1)	(97.2)
Thermal Efficiency (%)	83	83	83	83	83	83	83	83	83
Free Air Delivery - CFM	1,600	2,200	2,400	2,850	3,200	3,450	5,000	5,600	5,800
(cu. m/s)	(0.756)	(1.039)	(1.133)	(1.346)	(1.511)	(1.629)	(2.361)	(2.644)	(2.738)
Air Temperature Rise - Deg. F	47	42	47	46	47	54	45	47	51
(Deg. C)	(26)	(23)	(26)	(26)	(26)	(30)	(24)	(26)	(28)
Full Load Amps at 120V	6.4	6.9	6.9	8.0	8.0	8.0	11.6	13.8	13.8
Min. Circuit Amps at 120V	7.5	8.1	8.1	9.5	9.5	9.5	12.8	15.3	15.3
MOTOR DATA:									
Motor HP (Qty)	1/10	1/4	1/4	1/3	1/3	1/3	1/4 (2)	1/3 (2)	1/3 (2)
Motor kW	(0.08)	(0.19)	(0.19)	(0.25)	(0.25)	(0.25)	(0.19)	(0.25)	(0.25)
Motor Type (ODP)	SP	PSC	PSC	PSC	PSC	PSC	PSC	PSC	PSC
RPM	1,050	1,050	1,050	1,050	1,050	1,050	1,050	1,050	1,050
Amps @ 115V	4.2	4.7	4.7	5.8	5.8	5.8	9.4	11.6	11.6
DIMENSIONAL DATA - inches (mm)									
"A" Overall Height to Top of Flue	33-3/4 (857)	33-3/4 (857)	33-3/4 (857)	33-3/4 (857)	33-3/4 (857)	33-3/4 (857)	34 (864)	34 (864)	34 (864)
"B" Jacket Width of Unit	20-3/4 (527)	20-3/4 (527)	20-3/4 (527)	32-3/4 (831)	32-3/4 (831)	32-3/4 (831)	50-3/4 (1289)	50-3/4 (1289)	50-3/4 (1289)
"C" Width to CL Flue	13-3/8 (340)	13-3/8 (340)	13-3/8 (340)	19-3/8 (492)	19-3/8 (492)	19-3/8 (492)	28-3/8 (721)	28-3/8 (721)	28-3/8 (721)
"D" Depth to Rear of Housing	11 (279)	11 (279)	11 (279)	11 (279)	11 (279)	11 (279)	12-1/4 (311)	12-1/4 (311)	12-1/4 (311)
"E" Hanging Distance Width	18-5/8 (473)	18-5/8 (473)	18-5/8 (473)	30-5/8 (778)	30-5/8 (778)	30-5/8 (778)	48-5/8 (1235)	48-5/8 (1235)	48-5/8 (1235)
"F" Discharge Opening Width	18-3/4 (476)	18-3/4 (476)	18-3/4 (476)	30-3/4 (781)	30-3/4 (781)	30-3/4 (781)	48-3/4 (1238)	48-3/4 (1238)	48-3/4 (1238)
"G" Depth to CL Flue	4-3/4 (121)	4-3/4 (121)	4-3/4 (121)	4-3/4 (121)	4-3/4 (121)	4-3/4 (121)	5-1/8 (130)	5-1/8 (130)	5-1/8 (130)
"L" Overall Unit Width	25-1/4 (641)	25-1/4 (641)	25-1/4 (641)	37-1/4 (946)	37-1/4 (946)	37-1/4 (946)	55-1/4 (1403)	55-1/4 (1403)	55-1/4 (1403)
Combustion Air Inlet Dia. (Qty) - in (mm)	5 (127)	5 (127)	5 (127)	5 (127)	5 (127)	5 (127)	5 (2) (127)	5 (2) (127)	5 (2) (127)
"M" Flue Size Diameter* - in (mm)	5 (127)	5 (127)	5 (127)	5 (127)	5 (127)	5 (127)	6 (152)	6 (152)	6 (152)
Gas Inlet, Natural Gas - in	1/2	1/2	1/2	1/2	1/2	1/2	3/4	3/4	3/4
Gas Inlet, LP Gas - in	1/2	1/2	1/2	1/2	1/2	1/2	3/4	3/4	3/4
Approximate Unit Weight - lb (kg)	135 (61)	147 (67)	157 (71)	194 (88)	204 (93)	214 (97)	311 (141)	325 (147)	339 (154)
Approximate Ship Weight - lb (kg)	175 (79)	187 (85)	197 (89)	244 (111)	254 (115)	264 (120)	371 (168)	385 (175)	399 (181)

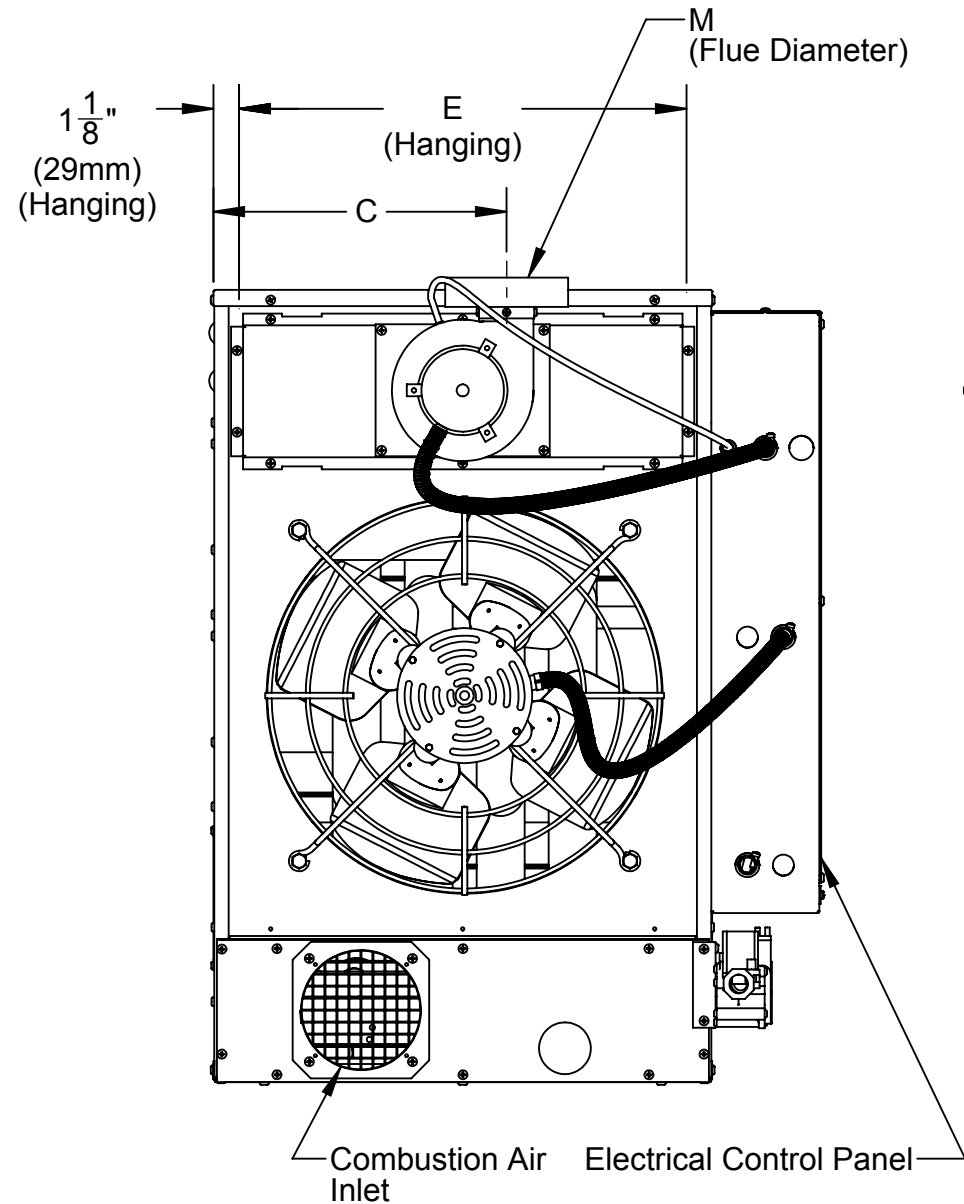
† Ratings shown are for unit installations at elevations between 0 and 2,000 ft (0 to 610m). For unit installations in U.S.A. above 2,000 ft. (610m), the unit input must be field derated 4% for each 1,000 ft. (305m) above sea level; refer to local For installations in Canada, any reference to deration at altitudes in excess of 2,000 ft. (610m) are to be ignored. At altitudes of 2,000 ft. to 4,500 ft. (610 to 1372m), the unit must be field derated and be so marked in accordance with the ETL

* Flue collar is factory supplied with unit; to be field installed per included instructions.

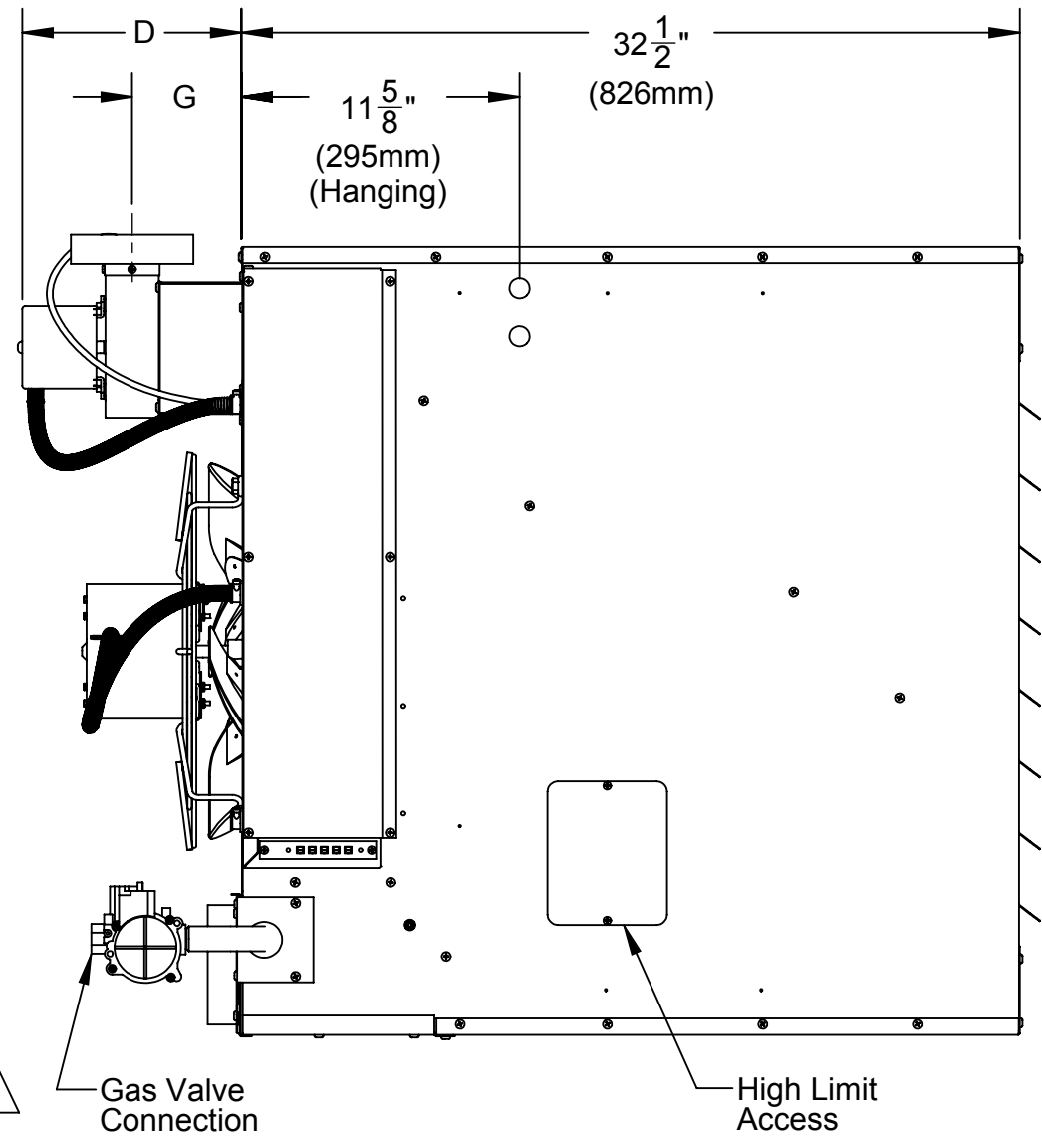
** LEGEND: SP = SHADED POLE PSC = PERMANENT SPLIT CAPACITOR ODP = OPEN DRIP PROOF



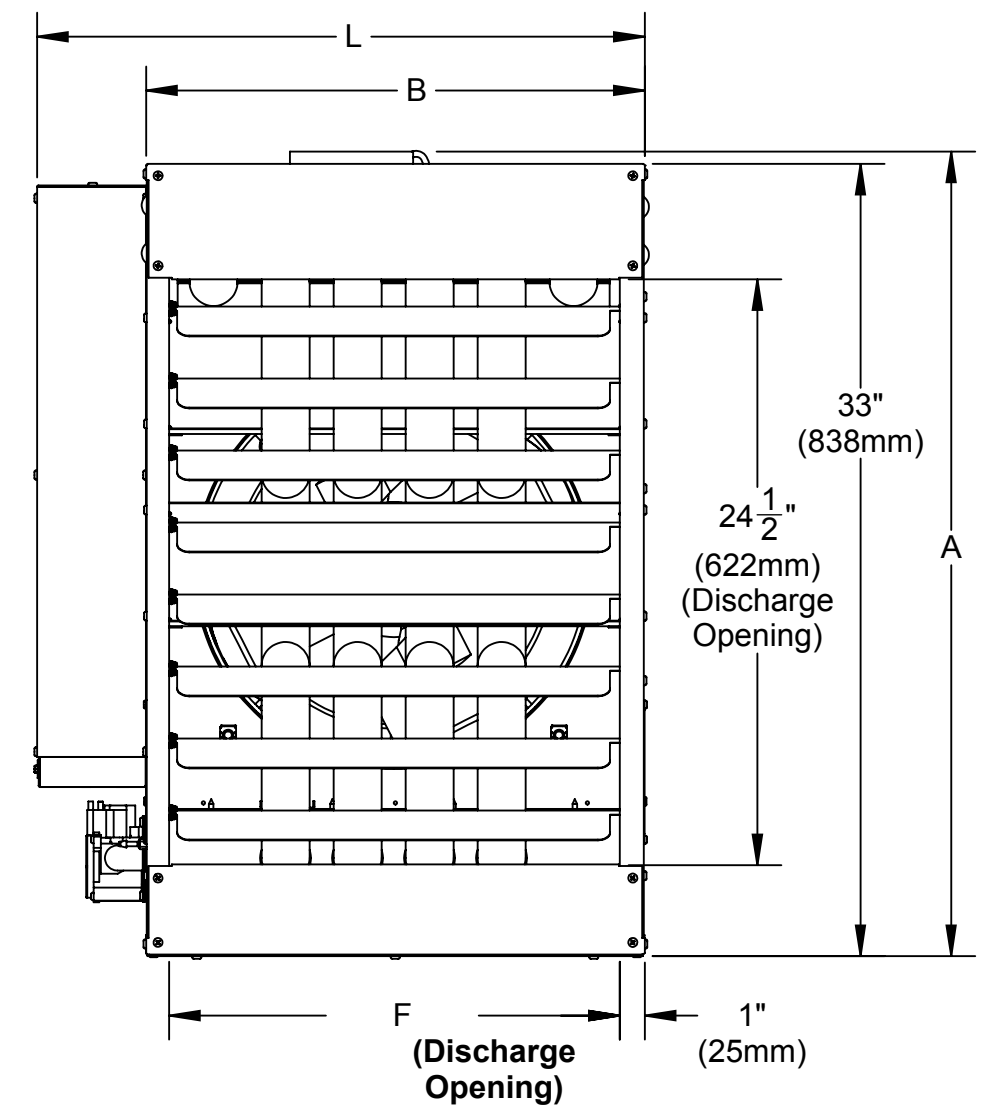
**Contact Powered Aire at
 TechnicalSupport@PoweredAire.com or call
 1-888-321-2473 with any questions.**



Rear View



Side View



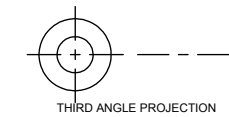
Front View

Contact Powered Aire at
TechnicalSupport@PoweredAire.com or call
 1-888-321-2473 with any questions.



XF

DRAWN BY	RWG	DATE	06/04/19	DIVISION	Powered Aire
CHECKED BY	AAP	DATE	06/04/19	PRODUCT	XF
APPROVED BY	DP	DATE	06/04/19	PART NUMBER	CAT-10364
DRAWING DESCRIPTION					
CATALOG, XF DIMENSIONAL DRAWING					



UNLESS OTHERWISE SPECIFIED		DO NOT SCALE DRAWING		DRAWING NUMBER	10364	
ALL DIMENSIONS ARE IN INCHES						
TOLERANCES						
.X	= .030	BREAK EDGE	= .005/.015	PROTOTYPE PART NUMBER	N/A	
.XX	= .010	RADII	= .040/.060	SHEET	1 OF 1	
.XXX	= .005	ANGLE	= ± 5°	SHEET SIZE	B	
.XXXX	= .0010			SCALE	1:8	
SURFACE FINISH = 125 RMS				PERFECT FORM @MMC	REVISION	A