



# EHD-DG

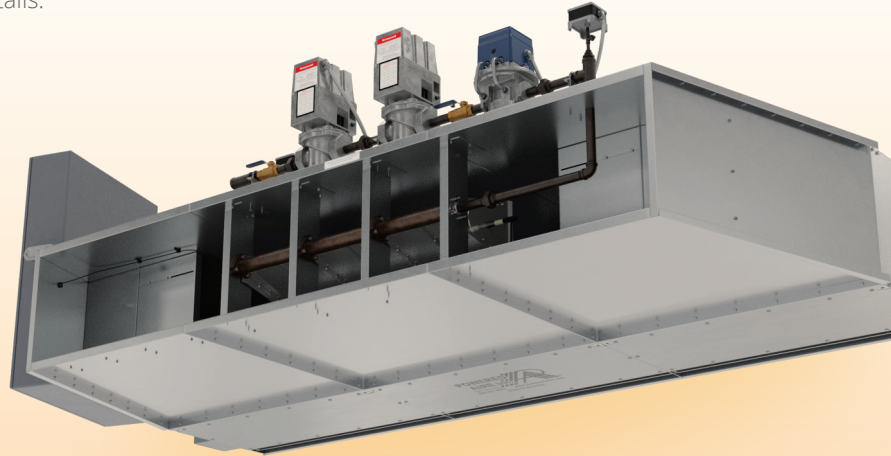


The Direct Gas Fired model provides the most heat of any air curtain in the Powered Aire product line. With the Direct Fired air curtain, the intake air goes directly through the flame prior to being discharged. This air curtain will provide up to a 105 °F instant temperature rise at the threshold. Not only will this model prevent cold air from infiltrating the opening, it will help keep door hinges from freezing, keep the floor dry, help keep employees comfortable and promote safety and productivity. Certain codes apply; contact factory for details.

## OPTIONS

### HEATING

Unheated . . . . .	pg 177
Electric. . . . .	pg 181
Hot Water. . . . .	pg 186
Steam . . . . .	pg 186
Indirect Gas. . . . .	pg 189



## AT A GLANCE

Single Incremental Widths

4' to 20'

Max Installation Height

22'

Heavy Duty Motors

5 HP

### KEY DESIGN FEATURES

- All weight bearing structural support is made of formed 11-gauge stainless steel and galvanized steel. Outer casing is constructed of 16-gauge stainless steel.
- Heavy duty 5 HP Total Enclosed Aire Over (TEAO) motors at 1160 rpm each, 50/60 cycle. Single speed.
- Galvanized fans.
- Access panels for inspection, cleaning or removal of motor blower assembly, without having to lower the unit.
- High efficiency discharge plenum with directional air foil vane factory set to facilitate deflection of air stream +/- 20°.
- Includes NEMA 12 control panel with a motor starters, overload relays and control transformer.

### RECOMMENDED CONTROLS

- Panel mounted HAND / OFF / AUTO switch
- Thermostat
- Magnetic Door Switch for activation

