



TSD-IG

1, 2 & 3 HEATERS

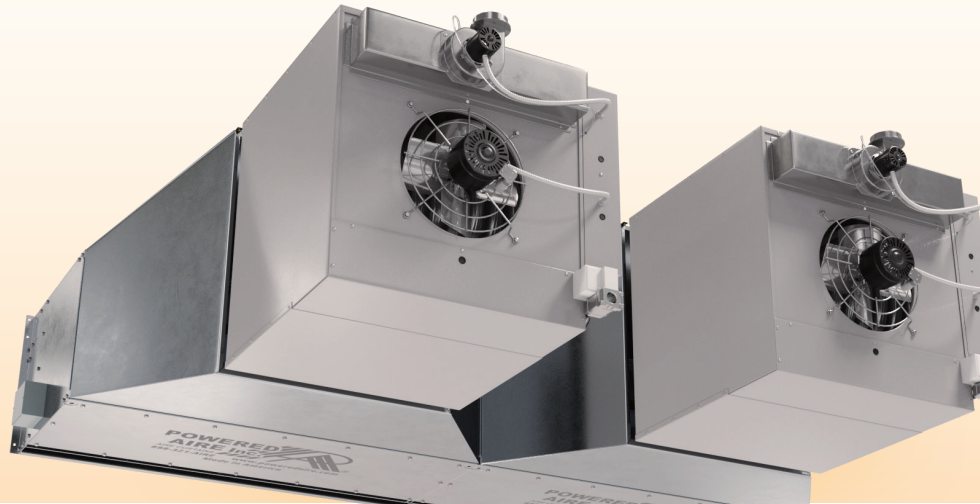


The Indirect Gas Fired air curtain works like your typical home gas furnace. The flame heats a tube, the air flows over the tube and the heated air is discharged. This air curtain will provide up to a 35° F temperature rise at the threshold. Not only will this model prevent cold air from infiltrating the opening, it will help keep door hinges from freezing, keep the floor dry, help keep employees comfortable and promote safety and productivity.

OPTIONS

HEATING

Unheated	pg 153
Electric.	pg 157
Hot Water	pg 163
Steam	pg 163
Direct Gas.	pg 173



AT A GLANCE

Single Incremental Widths

4' to 20'

Max Installation Height

17'

Heavy Duty Motors

3 HP

KEY DESIGN FEATURES

- Outer cabinet constructed of 18-gauge 304 stainless steel with #3 finish
- 3 HP TEAO (Totally Enclosed Air Over) direct-drive single-speed motor(s)
- High-efficiency discharge plenum with adjustable air foil vane (+/-20°)
- Top and bottom access panels for servicing and removal of motor-blower assembly
- NEMA 12 control panel with factory installed magnetic motor starter, overload relays, and control transformer
- Factory mounted 18-gauge 304 stainless steel transition duct(s)
- AGA/CGA labeled gas heater(s) with power exhaust, direct spark ignition, and tubular heat exchangers
- Convertible open and closed combustion
- Natural gas or propane fuel types
- Standard single point power connection

RECOMMENDED CONTROLS

- Activation by 24V magnetic door switch
- Toggle disconnect switch
- Hand/Off/Auto selector switch
- Heat On/Off selector switch
- Digital thermostat

