

Variable Speed Potentiometer (Decorator)

Technical Data

PRODUCT IMAGE



Technical Information

Power Rating	1/2W
Resistance	Black/Gray
Attenuation	Continuous (stops at 0/max)
Termination	Plug-in screw termination strips
Wire Capacity	Up to 14-gauge
Switch Type	Rotary

APPLICATION NOTES

- IP66 degree of protection
- Left/counter clockwise reduces fan speed. Right/clockwise increases fan speed.
- Mounts in standard size gang box

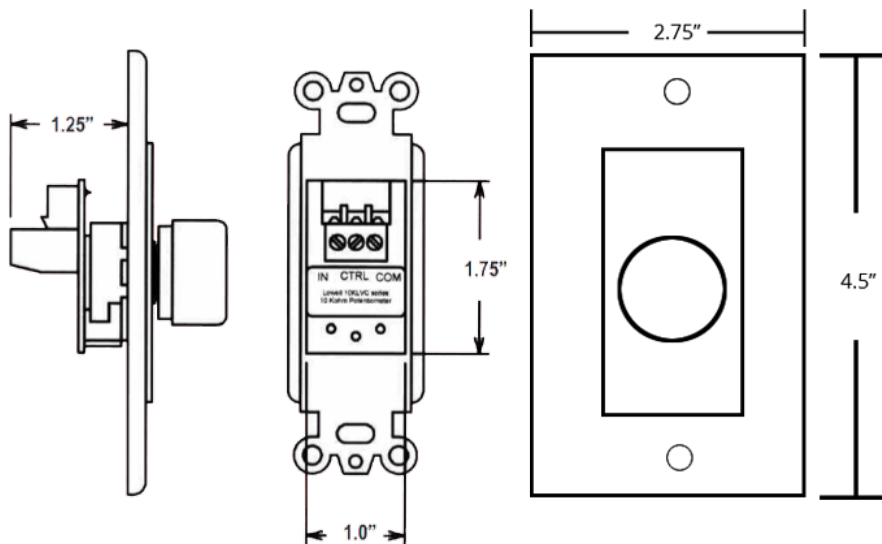
FEATURES AND KEY PRODUCT INFORMATION

- ▶ For Air Curtains using EC variable speed motors
- ▶ Remote mount in low-profile decorator switch
- ▶ Low voltage, 5VDC, 3-wire hook-up

CERTIFICATIONS/LISTINGS



MECHANICAL DRAWINGS



QUESTIONS & TECHNICAL SUPPORT AVAILABLE. CONTACT US DIRECTLY:

Phone Support
1-888-321-Aire (2473)

Email Support & Service
CustomerService@PoweredAire.com

Sales Questions
Sales@PoweredAire.com