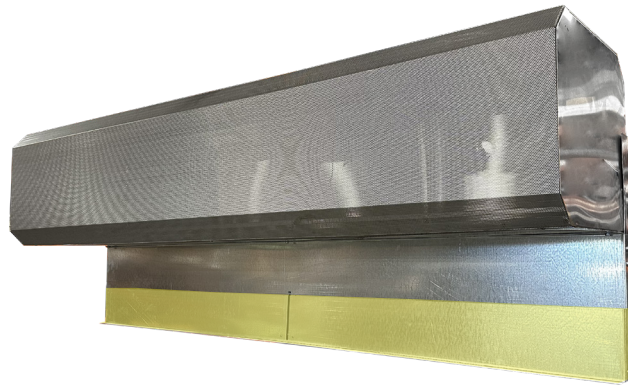


TELESCOPING NOZZLE 6 - 12 INCHES

Technical Data



Extended to
6 inches



Extended to
12 inches

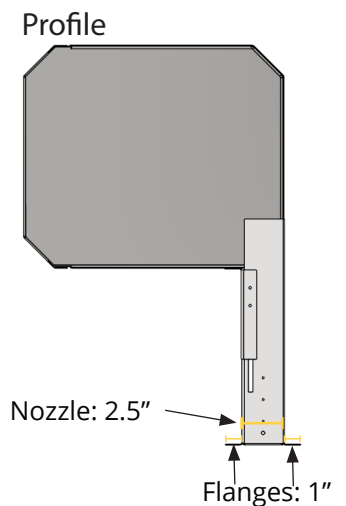
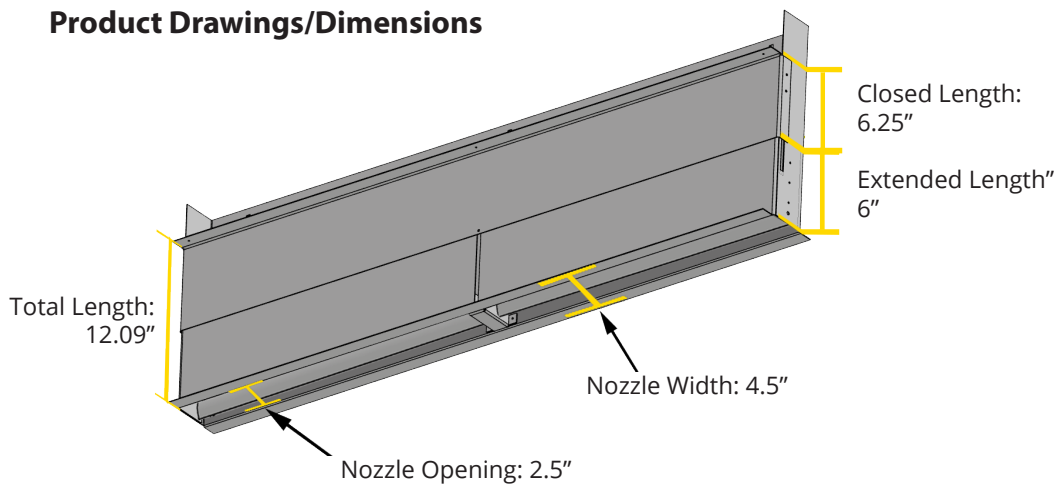


Profile view

FEATURES AND KEY PRODUCT INFORMATION

- ▶ The adjustable 6-12" nozzle extension enables Powered Aire commercial and low-profile air curtains to be recessed mounted into the ceiling by containing airflow from the air curtain discharge to its departure from the ceiling.
- ▶ Available in widths from 36 inches to 168 inches
- ▶ Adjustable steering vane (+/-20°)
- ▶ 1" outlet flanges are folded to ensure straight lines and flush mount against the ceiling
- ▶ Constructed with galvanized steel
- ▶ Adjustable via set screws with Phillips head screwdriver and socket
- ▶ Longer or Shorter nozzle extensions available. Contact Powered Aire for information

Product Drawings/Dimensions



QUESTIONS & TECHNICAL SUPPORT AVAILABLE. CONTACT US DIRECTLY

Phone Support
1-888-321-Aire (2473)

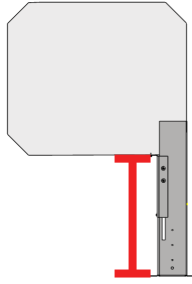
Email Support & Service
CustomerService@PoweredAire.com

Sales Questions
sales@PoweredAire.com

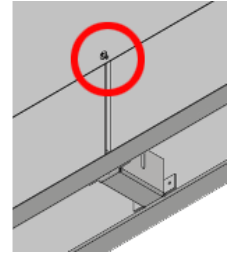
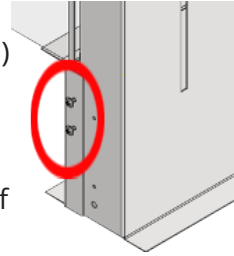
TELESCOPING NOZZLE 6 - 12 INCHES

Installation Instructions

1. Determine the length needed from the bottom of the air curtain to the nozzle outlet, which should be as close to top of door frame as possible.

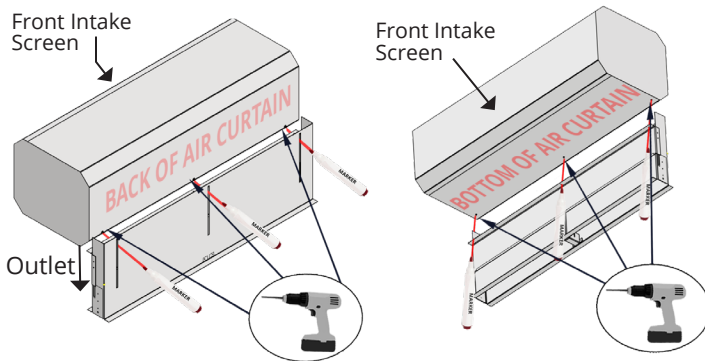


2. Loosen the (2) 1/4-20" Pan head screws on each side (four total) as well as the (1) 1/4-20" Pan head screw on the front panel, and slide the nozzle extension to the desired length, which should be as close to top of door frame as possible.

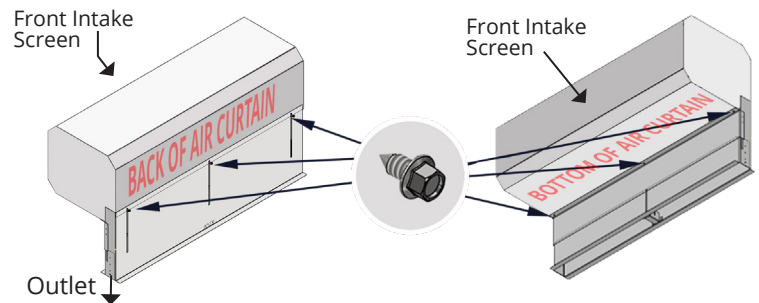


3. Once set, tighten the (4) side screws using a Philips head screwdriver and 7/16" socket to hold the inside nut
4. Line up the Back, Sides, and Front Lip of nozzle against Back, Sides & Bottom of the Air Curtain respectively
5. Ensure there is coverage across entire nozzle width of Air Curtain

6. Mark positions of the (3) holes in the Bottom & Back panel of the Air Curtain. Pre-drill holes using a 3-1/16" drill bit



7. Use (3) 5/16" self-drilling Hex head screws (not supplied) to attach the front lip of the nozzle to the unit & (3) 5/16 self-drilling Hex head screws to attach the Back



Adjusting the Nozzle Extension once affixed to Air Curtain

If further adjustments are needed, the following steps outline how to adjust the nozzle.

Remove the (3) 5/16" self-drilling Hex head screws from the front lip as well as from the back to remove the nozzle extension. Loosen the (2) 1/4-20" Pan head screws on each side as well as the (1) 1/4-20" Pan head screw on the front panel.

NOTE: Do not over-loosen or completely remove the screws.

Tap nozzle outlet lip with a rubber mallet to retract or extend the nozzle to the desired length. Once length is set, tighten all the previously loosened (5) screws using a Philips Head screwdriver and 7/16" socket. Reattach the nozzle as per previous steps.

To adjust steering vane at nozzle outlet, use a slip joint pliers. We recommend covering the vane with a towel before gripping with pliers to avoid scratching.

It is recommended to have at least two installers for the job.

Disclaimer: Air Curtain ducting to conditioned space is dependent on local codes. Installer/Operator must verify that codes permit the pulling of air from an enclosed ceiling area. Return grill supplied by others

QUESTIONS & TECHNICAL SUPPORT AVAILABLE. CONTACT US DIRECTLY

Phone Support
1-888-321-Aire (2473)

Email Support & Service
CustomerService@PoweredAire.com

Sales Questions
sales@PoweredAire.com