

Variable Speed Potentiometer

Technical Data

PRODUCT IMAGE



Technical Information

Ambient Air Temperature:	Operation -25 ... +70 °C Storage -40 ... +85 °C
Color	Black/Gray
Actuator Type	Knob
Bezel Material	Black Plastic
Function:	Resistor 10 kOhm
Function	Complete potentiometer
Degree of Protection	Front IP66
Power Loss	Max 2W
Product Net Weight	0.036 kg

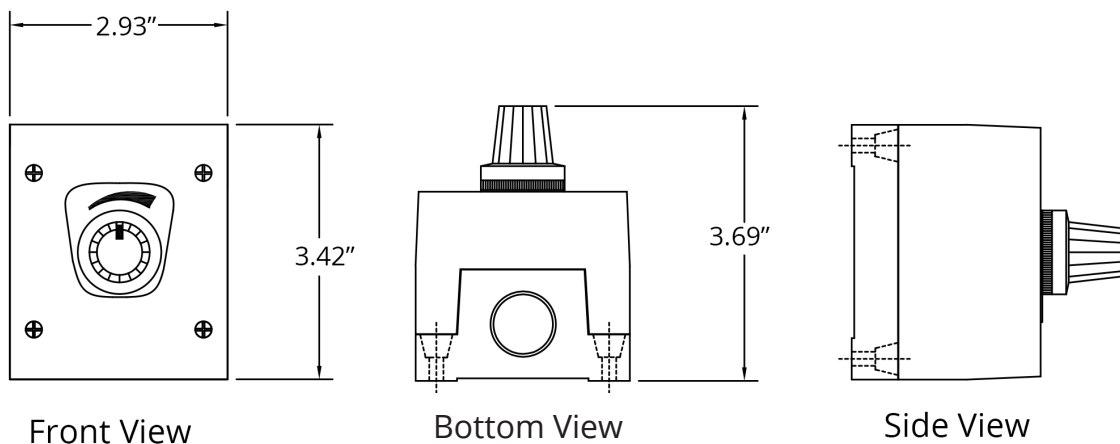
FEATURES AND KEY PRODUCT INFORMATION

- ▶ For Air Curtains using EC Motors enabling manual adjustment of fan speed
- ▶ Remote mount in low-profile box (can be unit mounted)
- ▶ Low voltage, 5VDC, 3-wire hook-up
- ▶ Highly durable, remote-mounted switches

APPLICATION NOTES

- Remote enclosure provides Nema 1, 3R, 4, 4X, 12 and 13 rating
- 0-5V DC Control

MECHANICAL DRAWINGS



QUESTIONS & TECHNICAL SUPPORT AVAILABLE. CONTACT US DIRECTLY:

Phone Support
1-888-321-Aire (2473)

Email Support & Service
CustomerService@PoweredAire.com

Sales Questions
Sales@PoweredAire.com

Variable Speed Potentiometer

Technical Data

Degrees of protection

OPERATOR:	Rating	UL/CSA Listing
Potentiometer	IP 66	Type 1, 3R, 4, 4X, 12, 13
Contact Block	IP20	n/a
Plastic Enclosure	IP66, 67, 69K	Type 1, 3R, 4, 4X, 12, 13

Mechanical Life

Selector Switch	0.5 million operations
-----------------	------------------------

Temperature Information

Ambient temperature during operation	-25 to +70 °C
Storage Temperature	-30 to +85 °C

Terminals

Plus-minus Pozidriv No.2 screw with DIN-washer	
Connectable area	min. 1 x 0.5 mm ² /AWG 20 max. 2 x 2.5 mm ² /2 x AWG14
Recommended torque	0.9 Nm

Tightening Torque

Locking nut, M22	Min. 2 Nm Max. 2.3 Nm
------------------	--------------------------

Contact Blocks

Mechanical Endurance	10 million operations
----------------------	-----------------------

Ratings as per UL, CSA, NEMA

	A600	Q600
	AC	DC
Rated insulation voltage	600V	600V
Rated thermal current	10A	2.5A
Rated operational current	@ 120V 6A	@ 125V 0.55A
	@ 240V 3AV	@ 250V 0.27A
	@ 480V 1.5A	@ 480V 0.10A
	@ 600V 1.2A	@ 600V 0.10A

Ratings as per IEC 60 947-5-1

Rated insulation voltage, U _i	690 V
Rated thermal current, I _{th}	10 A
Rated operational current, I _e utilization category AC 15,	@ 120V 8A
	@ 230 V 6 A
	@ 400 V 4 A
	@ 690 V 2 A
Rated operational current, I _e utilization category DC 13,	@ 24V 5A
	@ 125V 1.1A
	@ 250V 0.55A
Contact resistance	< 25 m ^
Compulsory function test	@ 5V, 16 mA

CERTIFICATIONS/LISTINGS



FOR TECHNICAL SUPPORT OR QUESTIONS, CONTACT US DIRECTLY:

Phone Support
1-888-321-Aire (2473)

Email Support & Service
CustomerService@PoweredAire.com

Sales Questions
sales@PoweredAire.com