

# SmartTouch Controller Technical Data

## PRODUCT IMAGE



## ALTERNATE VIEWS



## FEATURES AND KEY PRODUCT INFORMATION

- ▶ Complete Air Curtain control including fan speed, temperature, fan mode, heat and other functionality
- ▶ Unit mounting in slim, low profile case
- ▶ Remote mounting connection via Cat5e Ethernet crossover patch cable
- ▶ Compact design enables usage on most Powered Aire models
- ▶ Designed and manufactured to be a cost effective, multipurpose control
- ▶ Onboard or remote temperature sensor for pinpoint readings that maximize air curtain effectiveness
- ▶ Screen can be locked to prevent tampering or unauthorized use
- ▶ Back-lit LCD illuminates upon touch for easy/instant visibility regardless of ambient lighting

## APPLICATION NOTES

- CR1220 battery stores time settings in event of power failure
- Mounts remotely or directly to air curtain
- All screens (except home screen) feature back button to return to previous screen
- Remote mounting in standard, single gang electrical box
- Preset at factory to pair with air curtain and application requirements
- Screen indicators provide real-time operational status

**SMARTTOUCH** 

QUESTIONS & TECHNICAL SUPPORT AVAILABLE. CONTACT US DIRECTLY:

Phone Support  
1-888-321-Aire (2473)

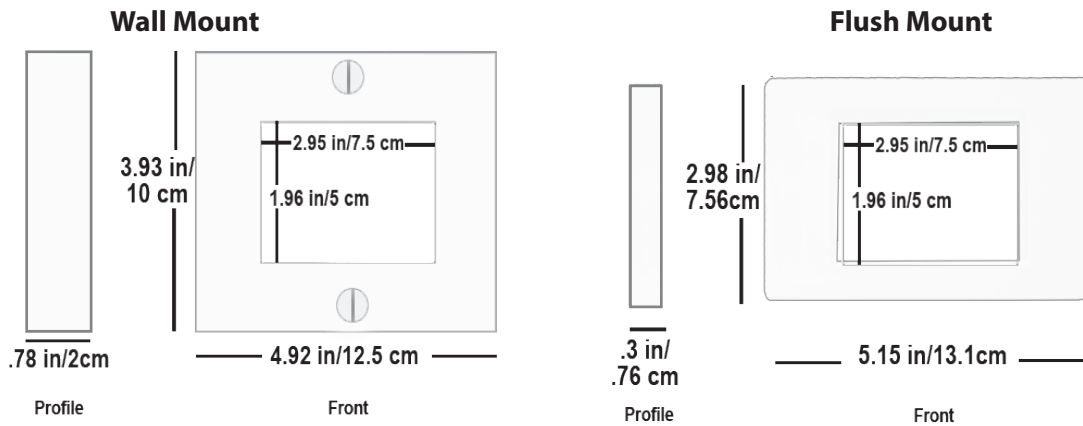
Email Support & Service  
CustomerService@PoweredAire.com

Sales Questions  
Sales@PoweredAire.com

# SmartTouch Controller

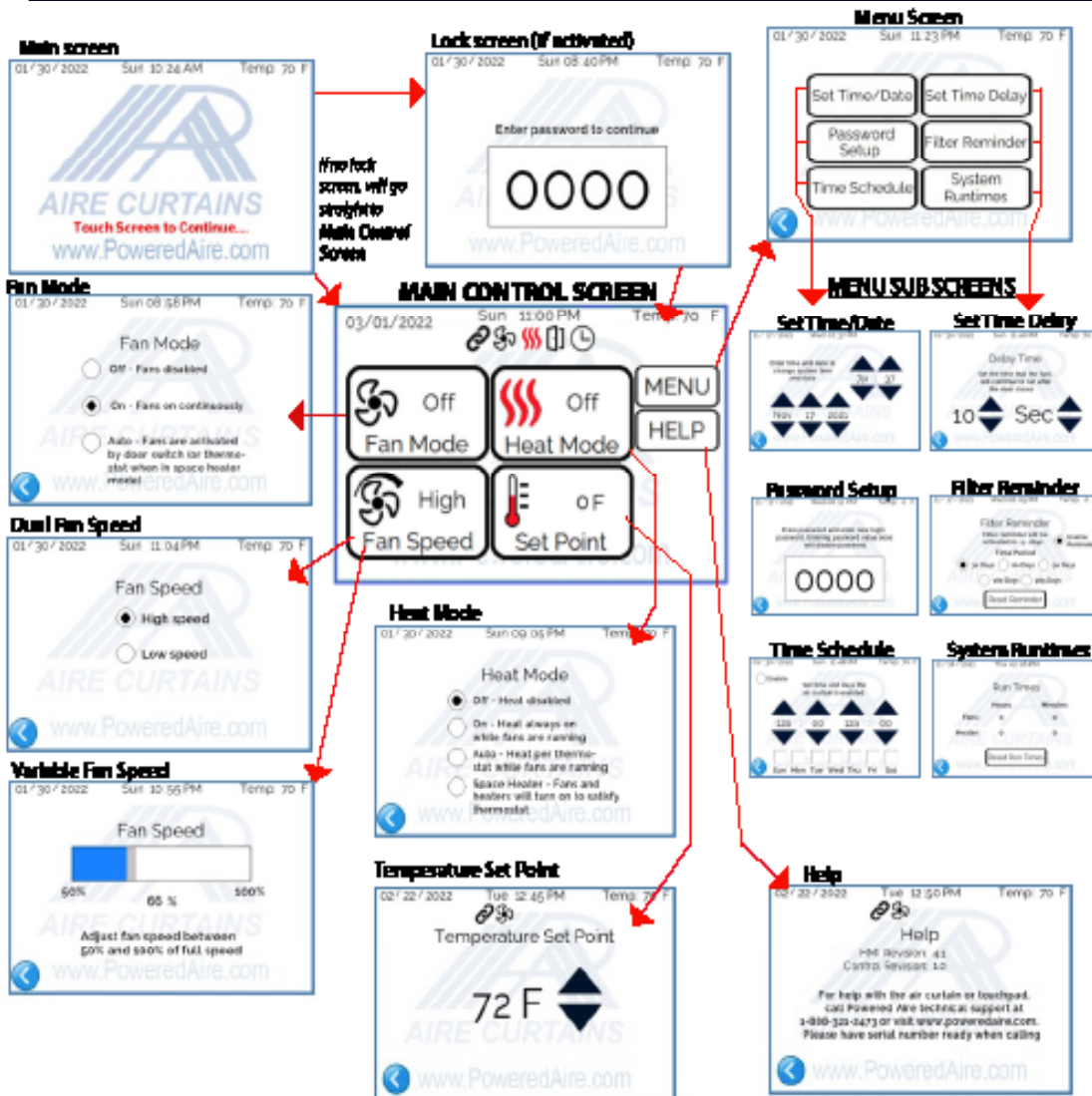
## Technical Data

### PRODUCT DRAWINGS



### Touchpad Performance

Hardware	
CPU	32-bit RISC CPU
Real Time Clock (RTC)	Yes
Communication Interface	
RJ-45 Port	Serial over Ethernet
Protocol	Custom
MMI (Man Machine Interface)	
LCD	3.5" TFT (Resolution 480x320 pixels 65535 colors)
Backlight Life	>30,000 hours
Brightness	180 nit
Touch Panel	Resistive Touch
Electrical	
Power Input	24VDC (through RJ-45 port)
Power Consumption	2.5W @ 5VDC
Mechanical	
Dimensions (W x L x H)"	5" x 4" x .75"
Installation	Wall Mount or Air Curtain Mount
Ingress Protection	IP40
Environmental	
Operating Temperature	"-20°C~+70°C (-4°F~+158°F)"
Storage Temperature	"-30°C~+85°C (-22°F~+185°F)"
Ambient Relative Humidity	10% - 90% non-condensing



QUESTIONS & TECHNICAL SUPPORT AVAILABLE. CONTACT US DIRECTLY:

**Phone Support**  
1-888-321-Aire (2473)

**Email Support & Service**  
CustomerService@PoweredAire.com

**Sales Questions**  
Sales@PoweredAire.com