

WALL MOUNT TEMPERATURE SENSORS

Technical Data

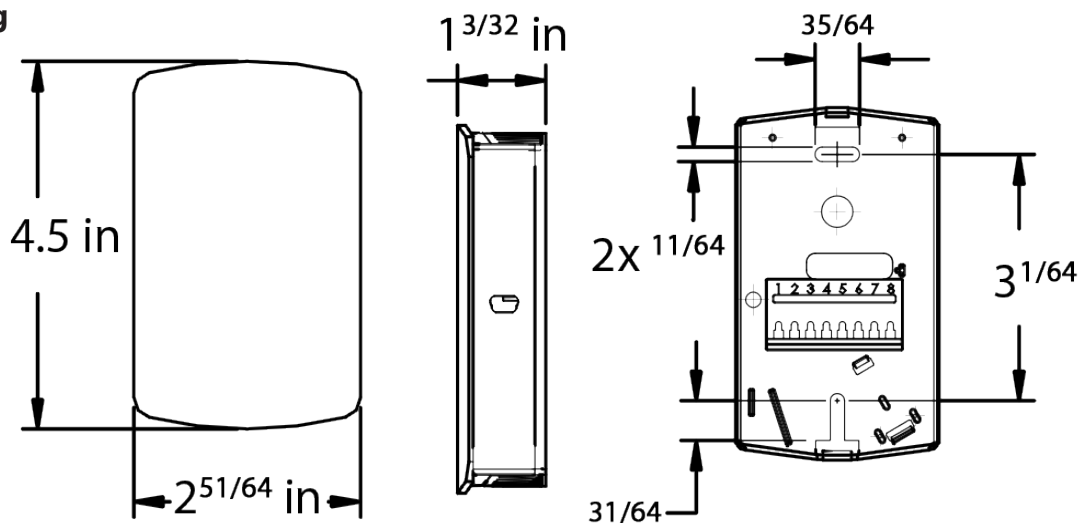


Characteristics	
Accuracy	$\pm 0.22^{\circ}\text{C}$ @ 25°C ($\pm 0.4^{\circ}\text{F}$ @ 77°F)
Temperature Limits	-40 to 140°F (-40 to 60°C).
Housing Material	ABS Plastic
Weight	0.3 lbs (136 g)
SensorType	10k Ω type III thermistor

FEATURES AND KEY PRODUCT INFORMATION

- ▶ Wall-mounted unit offers a low-profile, aesthetic design
- ▶ Durable ABS plastic with large vents to ensure proper airflow and temperature recognition
- ▶ Integration with Air Curtain and Building Management Systems (BMS) for accurate temperature sensing
- ▶ Universal mounting plate enables multiple mounting options

Product Drawing



QUESTIONS & TECHNICAL SUPPORT AVAILABLE. CONTACT US DIRECTLY

Phone Support
1-888-321-Aire (2473)

Email Support & Service
CustomerService@PoweredAire.com

Sales Questions
sales@PoweredAire.com