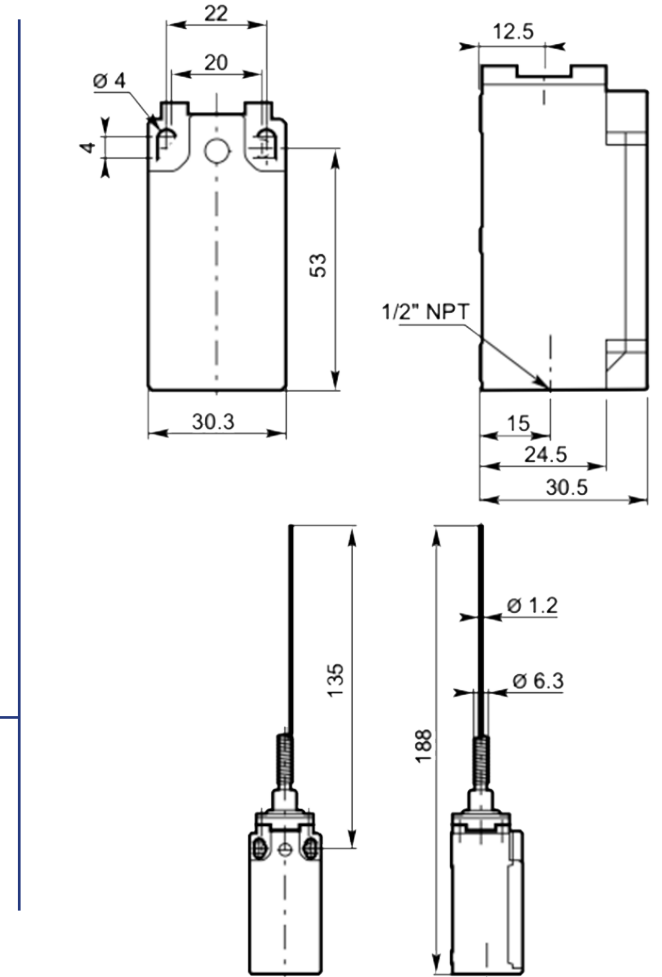


Wobble Door Switch Technical Data

PRODUCT IMAGE



PRODUCT DRAWING (Dimensions are in MM)



FEATURES AND KEY PRODUCT INFORMATION

- ▶ Mechanical switch activates air curtain when opening door comes in contact with wobble arm. Movement of flexible arm triggers activation of air curtain before returning to original position.
- ▶ Fiberglass arm maximizes switch versatility.
- ▶ Able to switch strong currents.
- ▶ Activation possible through swinging motion of door or up/down motion of garage door.
- ▶ Immune to electromagnetic interference.

CERTIFICATIONS/LISTINGS

IP65 Casing



CHARACTERISTICS

Ambient Air Temperature	Operation: -25 - +70 °C Storage: 30 - +80 °C
Actuator	1 NO and 1 NC
Action	Zb Snap action
Movement to be detected	Multi-directional
Casing	Plastic
Product name	Limit Switch

QUESTIONS & TECHNICAL SUPPORT AVAILABLE. CONTACT US DIRECTLY:

Phone Support
1-888-321-Aire (2473)

Email Support & Service
CustomerService@PoweredAire.com

Sales Questions
sales@PoweredAire.com