



CAC

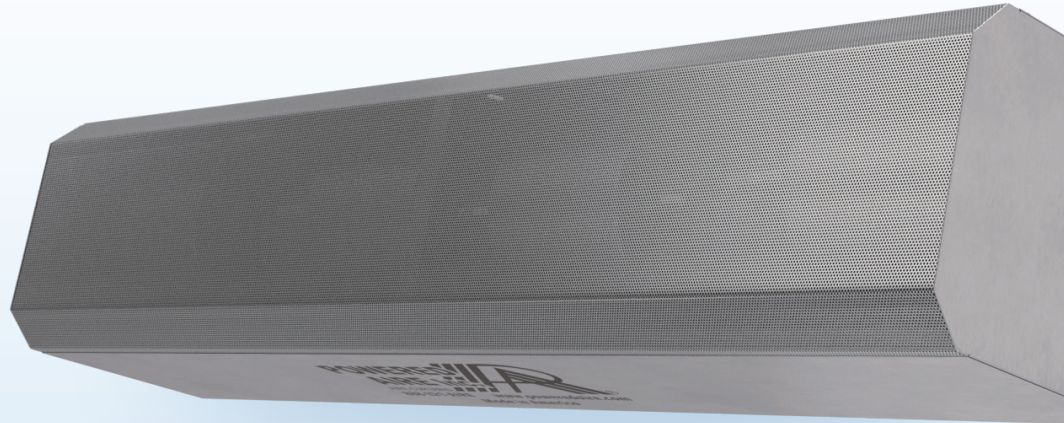


The two-speed Cooler Aire Curtain™ is used to reduce moisture buildup on doors and floors in a cold storage environment. When used with a hard panel door, the Cooler Aire Curtain™ may be supplied with a timer to keep the air curtain running for a set period of time after the door closes. When used with a high speed fabric door, the Cooler Aire Curtain™ may be supplied with a SmartTouch CAC to cycle the operation of the air curtain on and off during times when the door is not in use to keep the door panel dry.

OPTIONS

FILTER

½" Cleanable



AT A GLANCE

Single Incremental Widths

3' to 12'

Max Installation Height

14'

Heavy Duty Motors

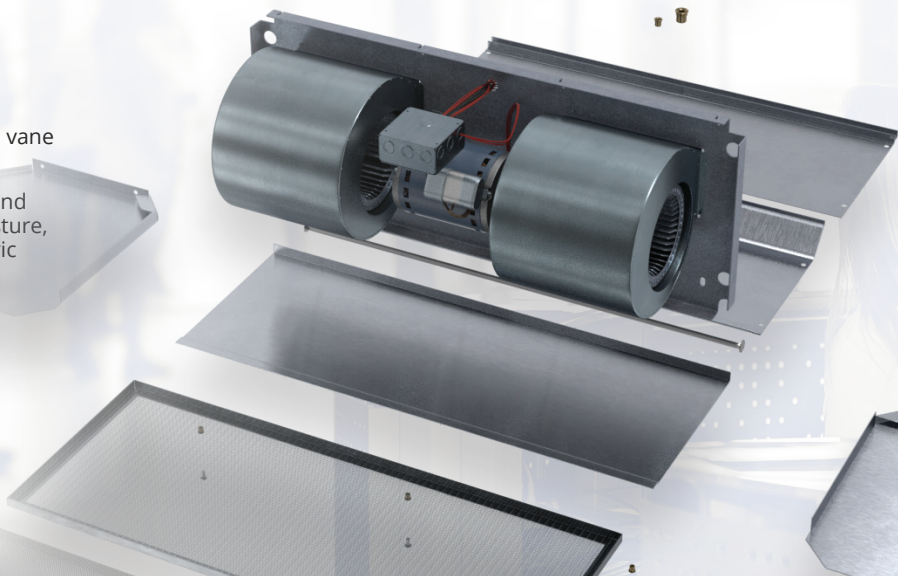
¾ HP

KEY DESIGN FEATURES

- Stainless steel case is 18 gauge 304 stainless steel in a number three finish.
- Heavy duty ¾ HP motors. 1630 rpm each. Dual speed.
- Galvanized fans.
- Air intake screen is perforated stainless steel with mill grain finish.
- High efficiency discharge plenum with directional air foil vane factory set to facilitate deflection of air stream +/- 20°.
- The SmartTouch CAC provides strategically timed heat and fan functions for around-the-clock protection from moisture, frost and ice buildup on hard panel and high-speed fabric freezer doors. Offers preset and adjustable functions.

RECOMMENDED CONTROLS

- Magnetic door switch for activation
- Dry contacts to interlock with door controller



► CAC | PERFORMANCE

Cooler Aire Curtain™ | Performance Table

MODEL	Nozzle Width (in.)	Max. FPM at Nozzle	Avg. FPM	Max. CFM	CFM at Nozzle	Outlet Velocity Uniformity	Number of Motors	Motor HP	Weight (lbs)
CAC-1-36	36	H 4218 L 2837	H 3695 L 2487	H 2899 L 1950	H 2541 L 1710	95%	1	3/4	90
CAC-1-42	42	H 4218 L 2837	H 3169 L 2133	H 3384 L 2276	H 2532 L 1696	93%	1	3/4	97
CAC-1-48	48	H 4218 L 2837	H 2771 L 1865	H 3867 L 2601	H 2559 L 1721	92%	1	3/4	104
CAC-1-60	60	H 4218 L 2837	H 2218 L 1493	H 4374 L 2792	H 2528 L 1703	91%	1	3/4	117
CAC-2-60	60	H 4218 L 2837	H 3315 L 2231	H 5050 L 3252	H 3812 L 2565	94%	2	3/4	147
CAC-2-72	72	H 4218 L 2837	H 3696 L 2488	H 5803 L 3903	H 5082 L 3420	95%	2	3/4	169
CAC-2-84	84	H 4218 L 2837	H 3169 L 2133	H 6766 L 4551	H 5063 L 3382	93%	2	3/4	187
CAC-2-96	96	H 4218 L 2837	H 2773 L 1866	H 7732 L 5201	H 5081 L 3417	92%	2	3/4	203
CAC-3-108	108	H 4218 L 2837	H 3702 L 2486	H 8702 L 5853	H 7623 L 5130	95%	3	3/4	245
CAC-3-120	118	H 4218 L 2837	H 3174 L 2134	H 9668 L 6503	H 7614 L 5127	94%	3	3/4	274
CAC-3-132	133	H 4218 L 2837	H 2792 L 1885	H 10853 L 7155	H 7589 L 5104	94%	3	3/4	290
CAC-4-144	145	H 4218 L 2837	H 3696 L 2488	H 11606 L 7806	H 10164 L 6840	95%	4	3/4	338

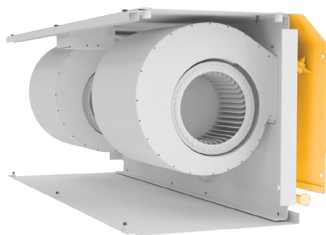
! For a unit over 12 feet long, consult factory.

CAC | Sound Levels

High Speed	63 dBA	Low Speed	56 dBA	Measured 10 ft. from unit in a free field based on a 1 motor unit
-------------------	--------	------------------	--------	---

CAC | Amp Draw and Breaker Options

Model/Number of Motors	120V Amp Draw (Breaker size)	208-230V Amp Draw (Breaker size)	480V Amp Draw (Breaker size)	575V Amp Draw (Breaker size)
CAC-1-36, 42, 48	8.0A (15)	3.6A (15)	2.0A (15)	1.5A (15)
CAC-2-60, 72, 84, 96	16.0A (25)	7.2A (15)	4.0A (15)	3.0A (15)
CAC-3-108, 120, 132	24.0A (35)	10.8A (15)	6.0A (15)	4.5A (15)
CAC-4-144, 156, 168	32.0A (45)	14.4A (20)	8.0A (15)	6.0A (15)



Performance Highlight

The model CAC positions the blowers pointing toward the back of the air curtain. Here they fill a specially designed plenum that when pressurized creates a true curtain of air without gaps. Additionally, it is more efficient and lowers the operational sound level.

► CAC | MECHANICAL DETAILS & DRAWINGS

CAC | Mechanical Information Table

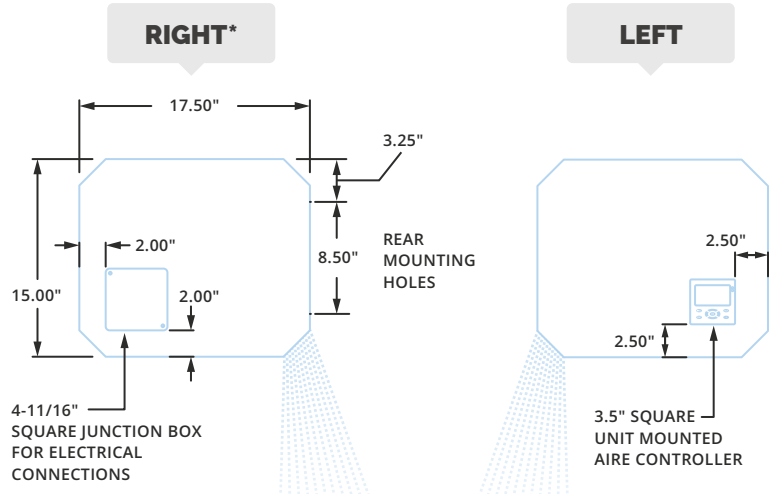
MODEL	Overall Width (in.)	Nozzle Width (in.)	Mounting Width (in.)
CAC-1-36	37	36	36.06
CAC-1-42	43	42	42.06
CAC-1-48	49	48	48.06
CAC-1-60	61	60	60.06
CAC-2-60	61	60	60.06
CAC-2-72	73	72	72.06
CAC-2-84	85	84	84.06
CAC-2-96	97	96	96.06
CAC-3-108	109	108	108.06
CAC-3-120	119	118	118.06
CAC-3-132	134	133	133.06
CAC-4-144	146	145	145.06



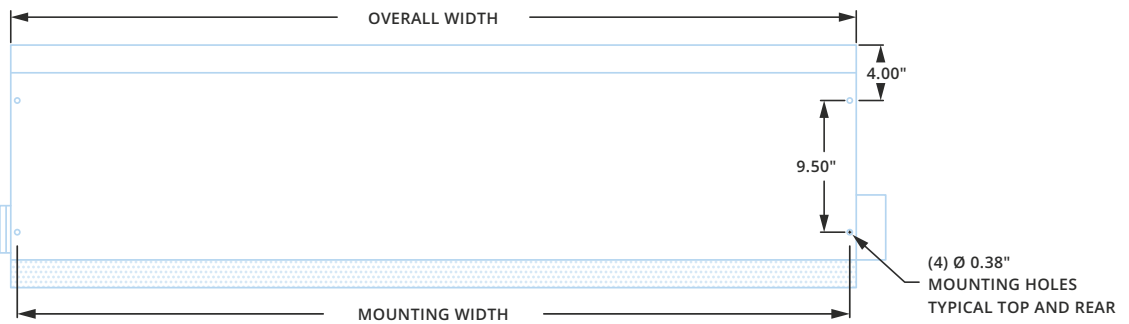
NOTE

Powered Aire recommends that the junction box be installed on the same side of the opening as the door motor. The Air Controller™ will be on the opposite side. When placing an order, please include on the purchase order whether the door motor is on the left or right side of the opening.

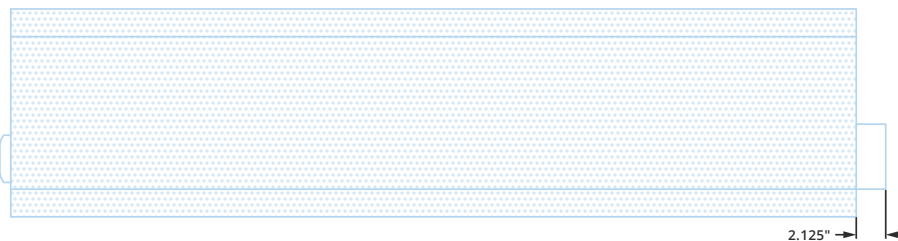
*The drawing below is for a door motor on the right side of the opening.



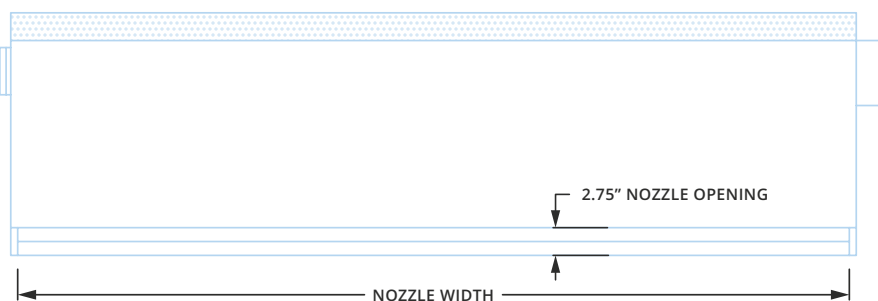
TOP



FRONT



BOTTOM



► FAC & CAC | INSTALLATION

NOTE 1: The air curtain should be mounted as close to the door header/opening as possible for maximum performance. For every one inch the bottom of the air curtain is mounted above the door header, the back side of the air curtain should be moved away from the wall 1/4 inch.

NOTE 2: Mounting structure should be of sufficient strength to hold unit and hardware (supplied by others) should be of sufficient strength and quality to support the unit.

A WALL MOUNT

Back side of air curtain has 4 mounting holes capable of accepting four 3/8 mounting bolts or lags, with washers (use these holes only for mounting). Mark and pre-drill mounting surface accurately. A long extension and ratchet will negate the need to remove the motor-blower plate when installing.

Mounting bolts or lags of sufficient size and strength should be installed and tightened through the four 7/8 inch holes in motor/blower plate.

If motor/blower plate has to be removed, the junction box inside the unit must be removed along with any electrical switches that may be in the way.

The electrical switches have a lever that slides in one direction to release the switch contacts from the switch body. All wires will then stay intact for easy installation when replacing the blower plate.

Remove 7/16 whizlock nuts holding plate in place, and slide plate out, rotating top portion of plate so it comes out first. Remember when installing plate to put bottom of plate in first and rotate top in last.

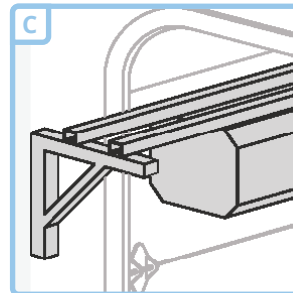
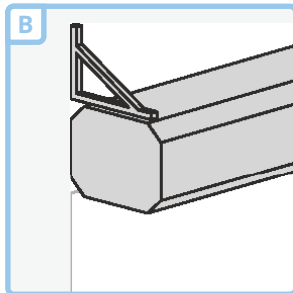
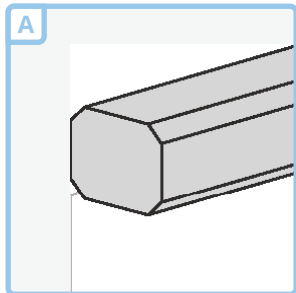
Additionally, an **MB123 Quick Install Bracket** can be used in select applications. Contact Powered Aire to learn more.

B BRACKETS

Mounting brackets (also called knee, angle or L-brackets) can be flush to the wall or constructed to account for a projection from the wall. For proper size brackets measure standoff distance from wall to back of where air curtain will be.

C BRACKETS WITH UNISTRUT

The air curtain is supplied with two pieces of unistrut attached to the top, typically one foot longer at each end, to reach brackets that are mounted on surface outside of the door tracks. Please supply the standoff distance from wall to back of where the air curtain will be.



Units have four (4) 3/8-16 threaded rod inserts. Threaded rod can be used to hang air curtain from ceiling or struts. Threaded rod should not extend more than 3/4 inch into air curtain.

Powered Aire does not supply threaded rods.



Option B with 0"- 12" Brackets



Option B with 0"- 20" Brackets



Option C with with 0-12" Brackets and Unistrut Extensions