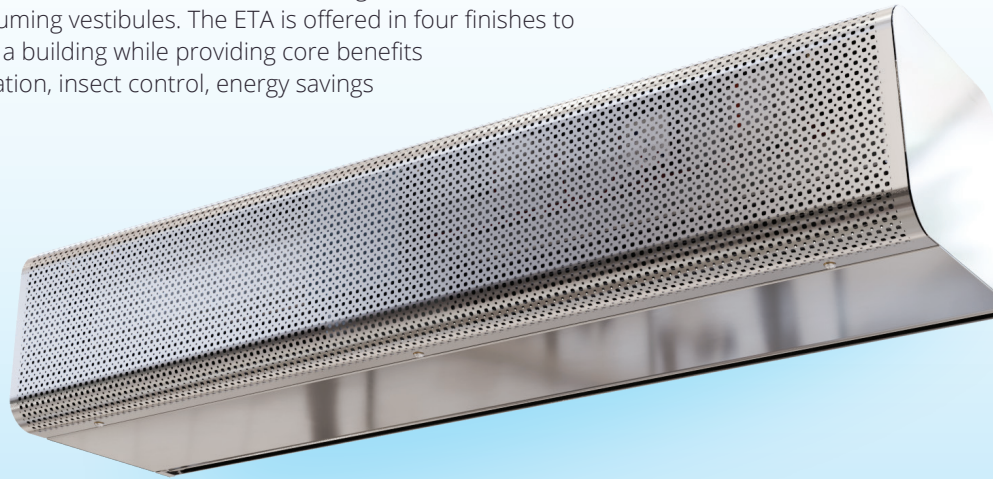




ETA



The architectural ETA blends style and performance into a versatile air curtain designed for retail, commercial, restaurant and other applications requiring the highest levels of aesthetics and performance. The ETA has been tested in accordance with the ANSI/AMCA 220 guidelines and can be used as an exception to costly, space-consuming vestibules. The ETA is offered in four finishes to better meet the architectural requirements of a building while providing core benefits of an air curtain, including temperature separation, insect control, energy savings and other traditional benefits.



OPTIONS

HEATING

- Electric.....pg 11
- Hot Water.....pg 17
- Steam.....pg 17

FILTER

½" Cleanable

AT A GLANCE

Single Incremental Widths

3' to 14'

Max Installation Height

14'

Heavy Duty Motors

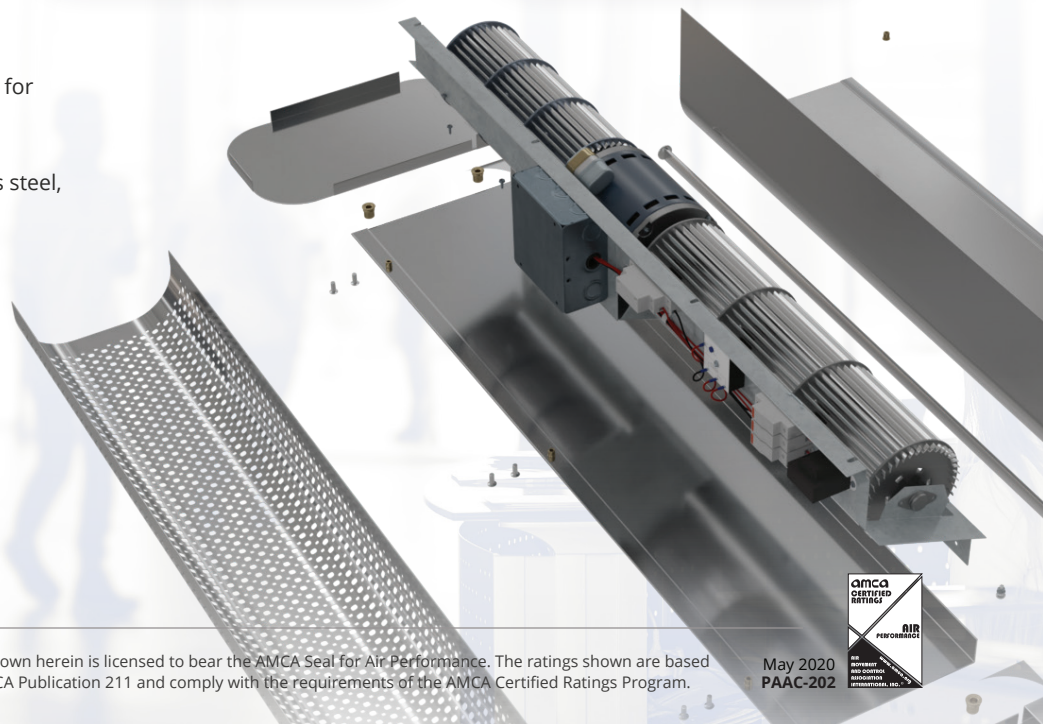
¾ HP

KEY DESIGN FEATURES

- Meets ASHRAE 90.1 and IECC requirements for vestibule exception
- AMCA tested performance
- Outer cabinet available in brushed stainless steel, matte black, or gloss white
- ¾ HP ODP (Open Drip Proof) direct-drive dual-speed motor(s)
- High-efficiency discharge plenum with adjustable air foil vane (+/-20°)

RECOMMENDED CONTROLS & ACCESSORIES

- Activation by 24V magnetic door switch
- Toggle disconnect switch
- SmartTouch Lite controller
- Filter (washable)



▶ ETA | PERFORMANCE

ETA | Performance Table

MODEL	Nozzle Width (in.)	Max FPM at Nozzle	Average Outlet Velocity (FPM)	Airflow Rate (CFM)	Outlet Velocity Uniformity	Power Rating (kW)	Number of Motors	Motor HP	Weight (lbs)
ETA-1-36	36	5654	2060	1401	88%	0.76	1	3/4	90
ETA-1-42	42	5321	2022	1678	88%	0.84	1	3/4	97
ETA-1-48	48	5296	1849	1757	84%	0.86	1	3/4	104
ETA-1-60	60	5288	1619	2007	72%	0.94	1	3/4	117
ETA-2-72	72	5654	2060	2802	88%	1.52	2	3/4	169
ETA-2-84	84	5321	2022	3356	88%	1.68	2	3/4	187
ETA-2-96	96	5296	1849	3514	84%	1.72	2	3/4	203
ETA-3-108	108	5654	2060	4203	88%	2.28	3	3/4	245
ETA-3-120	118	5340	2033	4757	88%	2.44	3	3/4	274
ETA-3-132	133	5305	1860	4809	72%	2.46	3	3/4	290
ETA-4-144	145	5654	2060	5604	88%	3.04	4	3/4	338
ETA-4-156	157	5648	2040	6158	88%	3.20	4	3/4	356
ETA-4-168	169	5321	2022	6712	88%	3.36	4	3/4	374

! For a unit over 14 feet long, consult factory.

ETA | Velocity Projection Model

DISTANCE FROM NOZZLE	40"	80"	120"	160"	200"
ETA-1-36 Core Velocity (fpm)	1756	1175	944	797	639
ETA-1-42 Core Velocity (fpm)	1630	1003	890	708	610
ETA-1-48 Core Velocity (fpm)	1550	1046	808	677	523
ETA-1-60 Core Velocity (fpm)	1342	898	685	593	517

ETA | Sound Levels

Measured 10 ft. from unit in a free field based on a 1 motor unit 63 dBA

ETA | Amp Draw and Breaker Options - For three phase motors, consult factory

Motors	120V Amp Draw (Breaker size)	208-230V Amp Draw (Breaker size)	480V Amp Draw (Breaker size)	575V Amp Draw (Breaker size)
ETA-1-36, 42, 48, 60	8.0A (15)	3.6A (15)	2.0A (15)	1.5A (15)
ETA-2-72, 84, 96	16.0A (25)	7.2A (15)	4.0A (15)	3.0A (15)
ETA-3-108, 120, 132	24.0A (35)	10.8A (15)	6.0A (15)	4.5A (15)
ETA-4-144, 156, 168	32.0A (45)	14.4A (20)	8.0A (15)	6.0A (15)

The AMCA Certified Ratings Seal applies to airflow rate, average outlet velocity, outlet velocity uniformity, velocity projection and power rating at free delivery only.

Powered Aire Inc. certifies that the Model ETA Air Curtain shown herein is licensed to bear the AMCA Seal for Air Performance. The ratings shown are based on tests and procedures performed in accordance with AMCA Publication 211 and comply with the requirements of the AMCA Certified Ratings Program.

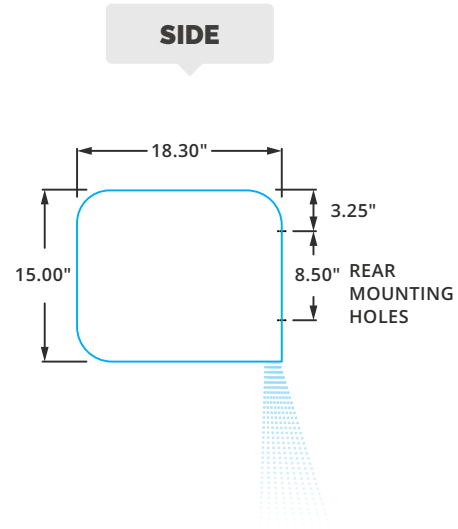
May 2020
PAAC-202



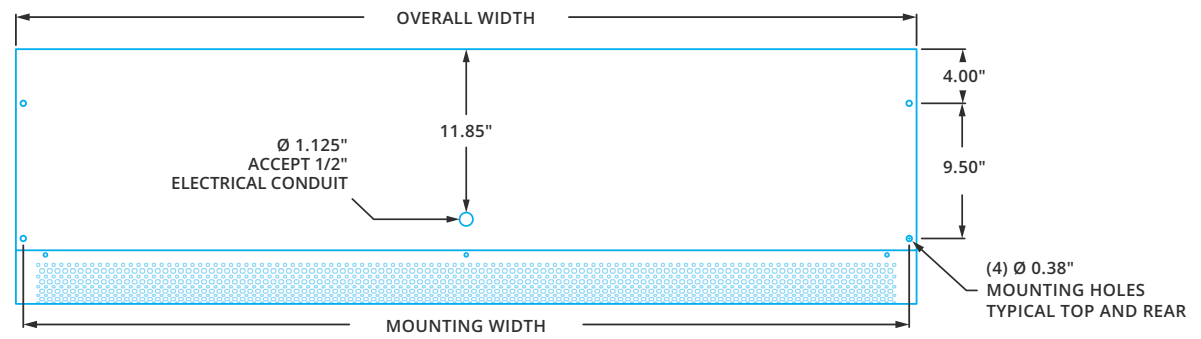
▶ ETA & ETA-E | MECHANICAL DETAILS & DRAWINGS

ETA & ETA-E | Mechanical Information Table

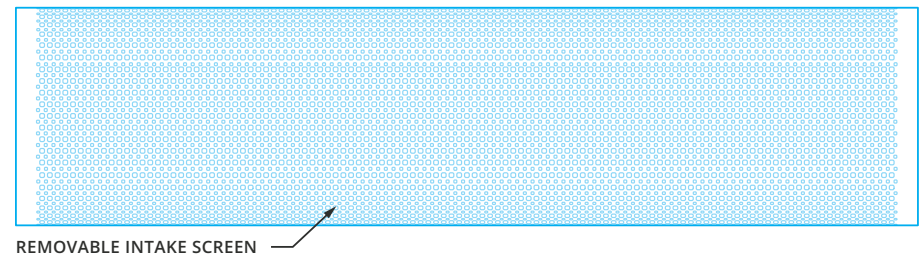
MODEL	Overall Width (in.)	Nozzle Width (in.)	Mounting Width (in.)
ETA-1-36 (E)	37	36	36.06
ETA-1-42 (E)	43	42	42.06
ETA-1-48 (E)	49	48	48.06
ETA-1-60 (E)	61	60	60.06
ETA-2-72 (E)	73	72	72.06
ETA-2-84 (E)	85	84	84.06
ETA-2-96 (E)	97	96	96.06
ETA-3-108 (E)	109	108	108.06
ETA-3-120 (E)	119	118	118.06
ETA-3-132 (E)	134	133	133.06
ETA-4-144 (E)	146	145	145.06
ETA-4-156 (E)	158	157	157.06
ETA-4-168 (E)	170	169	169.06



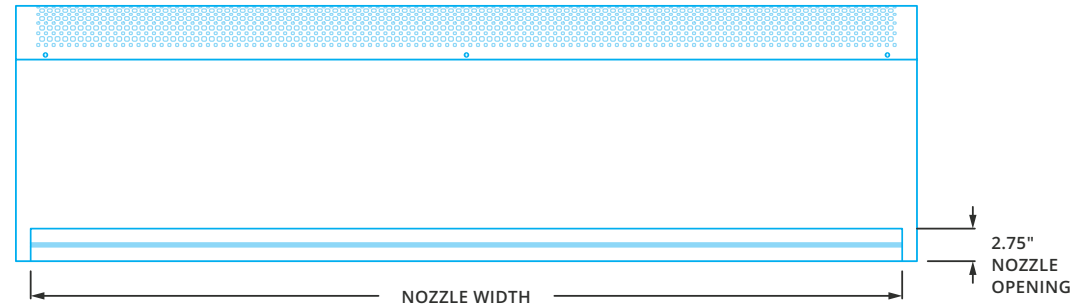
TOP



FRONT



BOTTOM



▶ ETA & ETA-E | INSTALLATION

! IMPORTANT

- ✓ **NOTE:** The air curtain should be mounted as close to the door header/opening as possible for maximum performance. For every one inch the bottom of the air curtain is mounted above the door header, the back side of the air curtain should be moved away from the wall ¼ inch.
- ✓ Trained and experienced mechanic / electrician required.
- ✓ **WARNING:** Risk of electrical shock, can cause injury or death: Disconnect all remote electrical supplies before servicing.
- ✓ Units must be field wired in accordance with all applicable local, state, provincial and national codes, including wire size and materials.
- ✓ All hardware and brackets must be of sufficient strength to safely support air curtain.

A TOP MOUNT

Unit has four 3/8 – 16 threaded inserts for installing one end of threaded rods. The other ends of the threaded rods can be attached to the ceiling. Threaded rod should not extend more than 3/4 inch into air curtain.

B WALL MOUNT

Back side of air curtain has 4 mounting holes capable of accepting four 3/8 mounting bolts or lags, with washers (use these holes only for mounting). Mark and pre-drill mounting surface accurately. A long extension and ratchet will negate the need to remove the motor/blower plate when installing. Mounting bolts or lags of sufficient size and strength should be installed and tightened through the four slots in motor/blower plate.

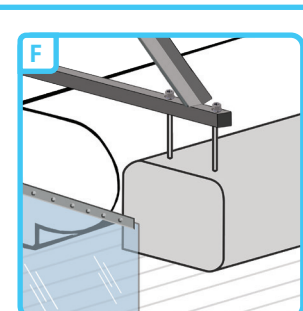
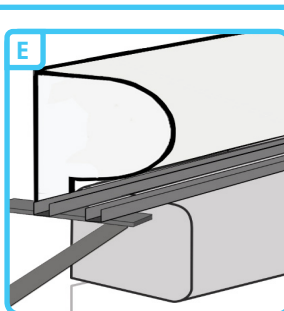
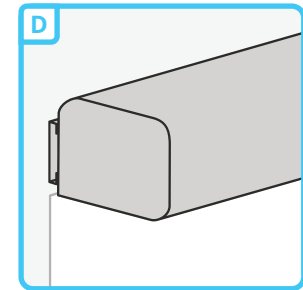
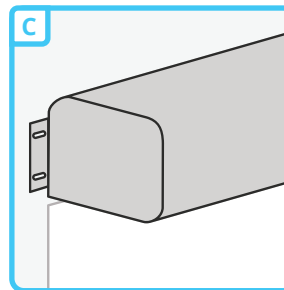
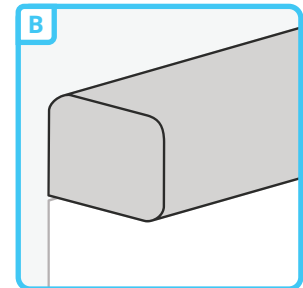
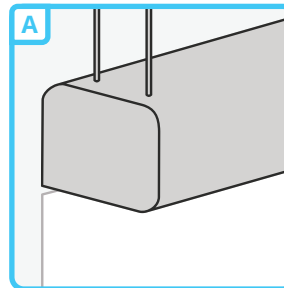
If motor/blower plate has to be removed, the junction box inside the unit must be removed along with any electrical switches that may be in the way. Remove 7/16 whizlock nuts holding plate in place, and slide plate out, rotating top portion of plate so it comes out first. Remember when installing plate to put bottom of plate in first and push and rotate top in last.

C EXTENSION BRACKETS (WALL MOUNT)

Extension brackets bolt on to the back of the unit, utilizing the 4 original mounting holes, and allowing for external mounting of unit to wall. Brackets have elongated mounting slots that extend the mounting width by 2½ to 3½ inches.

D LP123 BRACKETS

Universal mounting slots are used to lag the bracket to the wall (bolts by others). 3/8" mounting bolts (supplied) are threaded into the holes located in all four corners of the back side of the air curtain, leaving 1/2" of the bolts exposed.



MOUNTING AROUND CANISTER DOORS

There are multiple options for mounting around canister and roll up doors. Angle brackets, Unistrut, and threaded rod (*not shown*) can be used to mount the Air Curtain **E** below the canister.

F When mounting in front of the canister, it is recommended to utilize side baffles to create a seal that prevents outside air from entering. To maximize effectiveness, the barrier should extend to the floor.