



# LDC

LIGHT DUTY

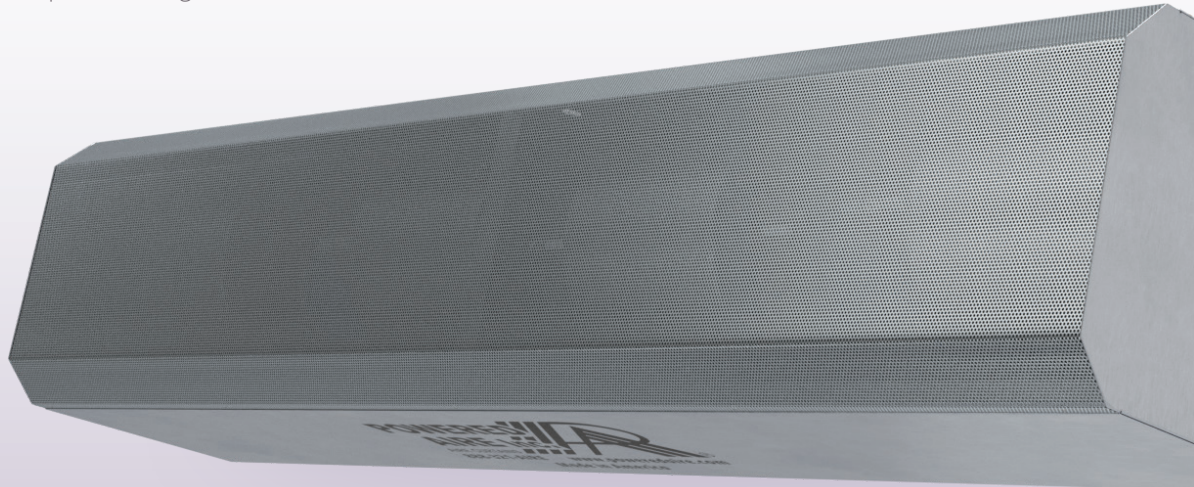


The LDC air curtain is designed for use in corrosive atmospheres. This light duty model has 3/4 hp motors and is unheated. This model differs from Powered Aire's standard units by featuring a higher grade stainless steel case and stainless steel internal components for added protection against rust and corrosion.

## OPTIONS

### FILTER

1/2" Cleanable



## AT A GLANCE

Single Incremental Widths

3' to 12'

Max Installation Height

12'

Heavy Duty Motors

3/4 HP

### KEY DESIGN FEATURES

- Heavy duty case is 18 gauge 316 stainless steel in a number three finish.
- Heavy duty Total Enclosed Aire Over (TEAO) 3/4 HP Dirty Duty Autophoretic motors with 316 stainless steel shafts. 1725 rpm each.
- 316 stainless steel fans and housings.
- All fastening components including screws and bolts are type 316 stainless steel.
- Air intake screen is perforated 316 stainless steel with mill grain finish.
- High efficiency discharge plenum with directional air foil vane factory set to facilitate deflection of air stream +/- 20°.
- NEMA 4X control panel constructed of 316 stainless steel.

### RECOMMENDED CONTROLS

- Panel mounted HAND / OFF / AUTO switch
- Magnetic Door switch for activation

### APPLICATIONS

- Maritime
- Beachfront Properties
- Manufacturing Facilities
- Swimming Pools
- Car Washes
- Pharmaceutical
- Food Processing Plants
- Any location where corrosive fumes or vapors are present

## ► LDC | PERFORMANCE

### LDC | Performance Table

MODEL	Nozzle Width (in.)	Max. FPM at Nozzle		Max. CFM at Nozzle		Outlet Velocity Uniformity	Number of Motors	Motor HP	Weight (lbs)
LDC-1-36	36	4218	2899	95%	1	3/4	90		
LDC-1-42	42	4218	3384	93%	1	3/4	97		
LDC-1-48	48	4218	3867	92%	1	3/4	104		
LDC-1-60	60	4218	4374	91%	1	3/4	117		
LDC-2-72	72	4218	5803	95%	2	3/4	169		
LDC-2-84	84	4218	6766	93%	2	3/4	187		
LDC-2-96	96	4218	7732	92%	2	3/4	203		
LDC-3-108	108	4218	8702	95%	3	3/4	245		
LDC-3-120	118	4218	9668	94%	3	3/4	274		
LDC-3-132	133	4218	10853	95%	3	3/4	290		
LDC-4-144	145	4218	11606	95%	4	3/4	338		

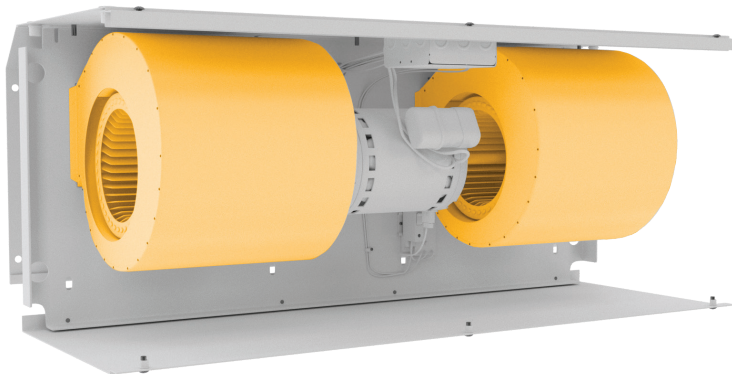
**!** For a unit over 12 feet long, consult factory.

### LDC | Sound Levels

**High Speed** 63 dBA Measured 10 ft. from unit in a free field based on a 1 motor unit

### LDC | Motor Options

**Voltages available** 120 208 240 / 1 / 60 240 480 575 / 3 / 60



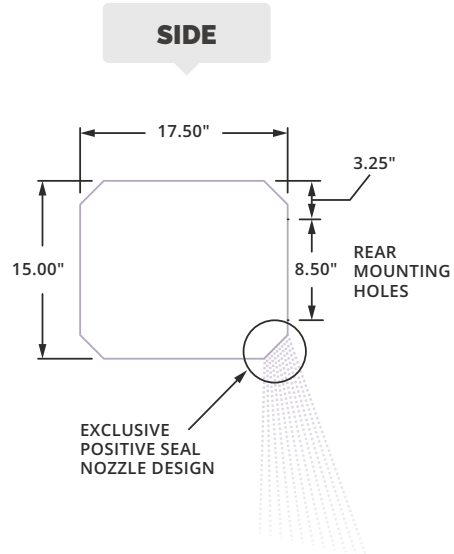
### Performance Highlight

Stainless steel fans and housings.

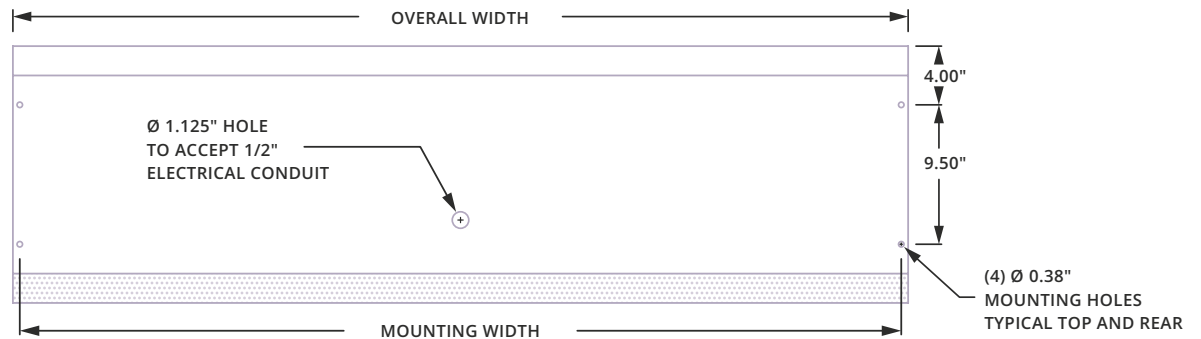
## ► LDC | MECHANICAL DETAILS & DRAWINGS

LDC | Mechanical Information Table

MODEL	Overall Width (in.)	Nozzle Width (in.)	Mounting Width Top and Rear (in.)
LDC-1-36	37	36	36.06
LDC-1-42	43	42	42.06
LDC-1-48	49	48	48.06
LDC-1-60	61	60	60.06
LDC-2-72	73	72	72.06
LDC-2-84	85	84	84.06
LDC-2-96	97	96	96.06
LDC-3-108	109	108	108.06
LDC-3-120	119	118	118.06
LDC-3-132	134	133	133.06
LDC-4-144	146	145	145.06



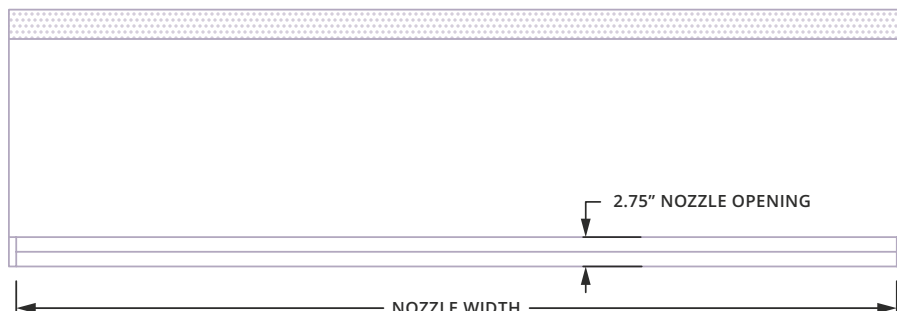
**TOP**



**FRONT**



**BOTTOM**



## ► LDC | INSTALLATION



### NOTE

The air curtain should be mounted as close to the door header/opening as possible for maximum performance. For every one inch the bottom of the air curtain is mounted above the door header, the back side of the air curtain should be moved away from the wall ¼ inch.

### OPTION 1

#### TOP MOUNT

Unit has four 3/8-16 threaded inserts for installing one end of threaded rods. The other ends of the threaded rods can be attached to the ceiling. Threaded rod should not extend more than 3/4 inch into air curtain.

\*Powered Aire does not supply threaded rods.

### OPTION 2

#### WALL MOUNT

Back side of air curtain has 4 mounting holes capable of accepting four 3/8 mounting bolts or lags, with washers (use these holes only for mounting). Mark and pre-drill mounting surface accurately. A long extension ratchet will negate the need to remove the motor/blower plate when installing. Mounting bolts or lags of sufficient size and strength should be installed and tightened through the four 7/8 inch holes in motor/blower plate. If motor/blower plate has to be removed, the junction box inside the unit must be removed along with any electrical switches that may be in the way. The electrical switches have a lever that slides in one direction to release the switch contacts from the switch body. All wires will then stay intact for easy installation when replacing blower plate. Remove 7/16 whizlock nuts holding plate in place and slide plate out rotating top portion of plate so it comes out first. Remember when installing plate to put bottom of plate in first and rotate top in last.

### OPTION 3

#### WALL MOUNT; EXTENSION BRACKETS

Extension brackets bolt on to the back of the unit, utilizing the 4 original mounting holes, and allowing for external mounting of unit to wall. Brackets have elongated mounting slots that extend the mounting width by 2 1/2 to 3 1/2 inches.

