



PTW-E



The PTW is specifically designed to stop outside air and vehicle fumes from infiltrating a drive-thru window.

OPTIONS

HEATING

Unheated pg 135

ACTIVATION

Door switch kit



AT A GLANCE

Unit Width

28.5"

Max Installation Height

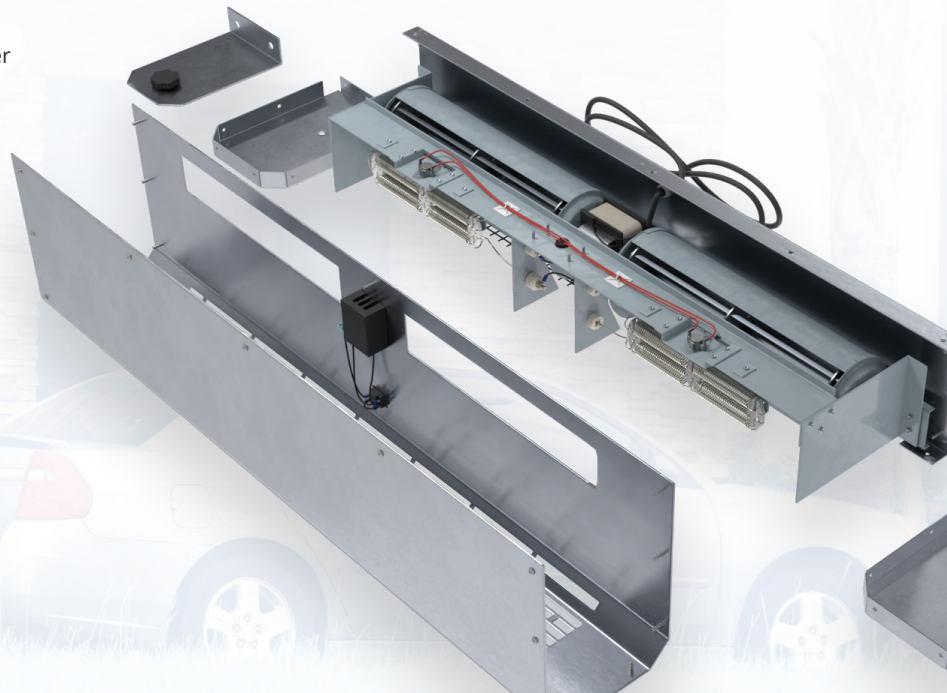
3'6"

Motor

107w

KEY DESIGN FEATURES

- 20 gauge 304 stainless steel outer case with a number three finish.
- 107 watt motor.
- Unit mounted variable speed dial, with FAN / OFF / HEAT switch.
- 120 volt power cord plugs into standard receptacle.
- Swivel mounting brackets allow for rear or top mounting and also allow for adjustment of the discharge angle.
- Easy installation



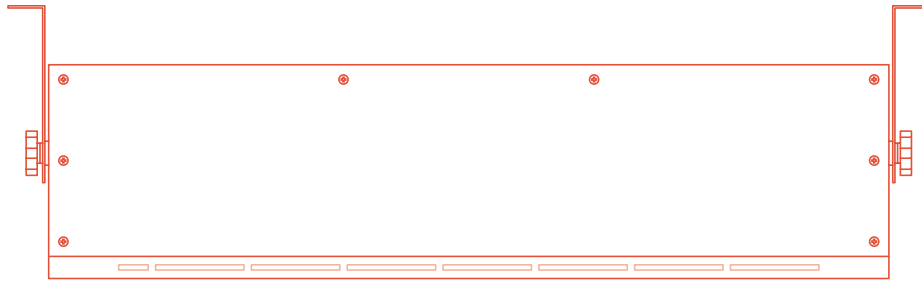
▶ PTW-E | PERFORMANCE

PTW-E | Performance Table

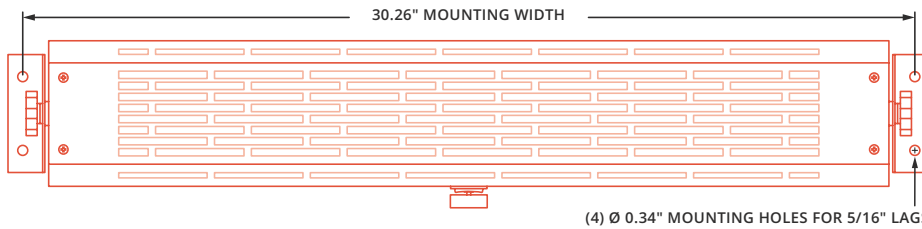
MODEL	Avg. Velocity at Nozzle on highest speed (FPM)	Air Flow Rate at Nozzle on highest speed (CFM)	Motor Power (Watts)	Electric Heating Capacity	Temp. Rise (°F) on highest speed	Amp Draw	Weight (lbs)	Sound Level (Measured 10' away from unit in a free field on highest speed)
PTW-24-E	1653	363	107	1.2 kW	10.6° F	11.2	21	50 dba

▶ PTW-E | MECHANICAL DRAWINGS & INSTALLATION

TOP

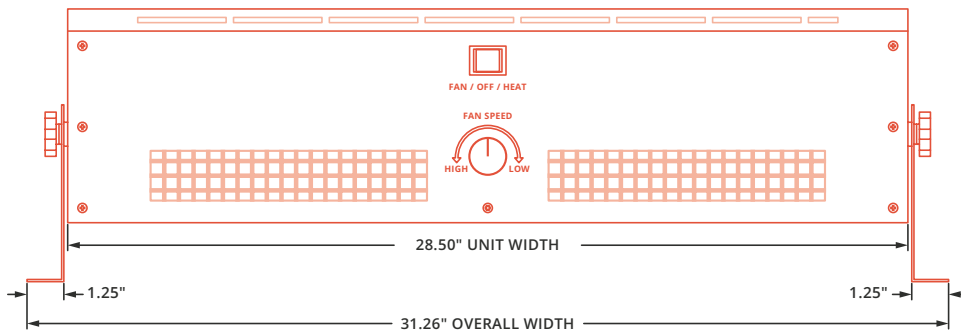


FRONT

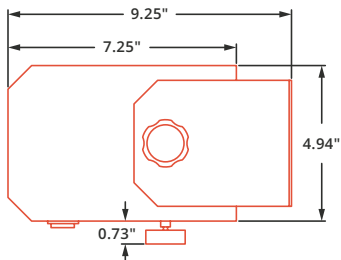


(4) Ø 0.34" MOUNTING HOLES FOR 5/16" LAGS

BOTTOM



SIDE



INSTALLATION

(4) Ø 0.34" Mounting Holes for 5/16" Lags