



# RBT



Intertek

Intertek

LISTED FOR INDOOR /  
OUTDOOR USE

NSF-37 CERTIFIED

ETL SANITATION LISTED

The RBT is the restaurant industry's go-to insect control air curtain.



## AT A GLANCE

Single Incremental Widths

3' to 12'

Max Installation Height

7'

Heavy Duty Motors

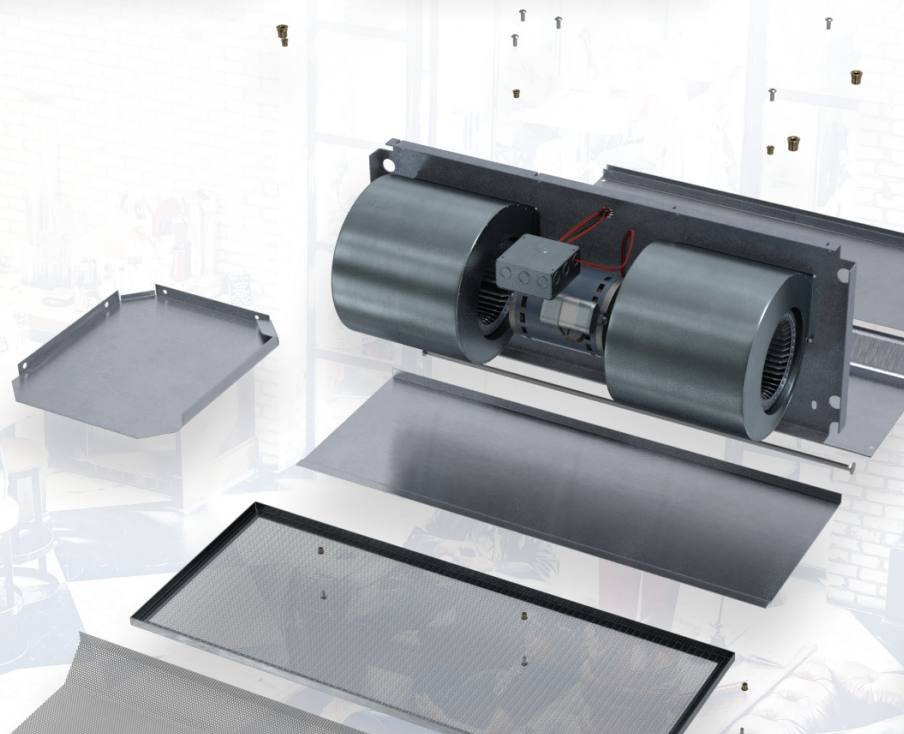
3/4 HP

### KEY DESIGN FEATURES

- ETL Sanitation certified to NSF Standard 37
- USDA and FDA compliant
- Outer cabinet constructed of 18-gauge 304 stainless steel with #3 finish
- 3/4 HP TEAO (Totally Enclosed Air Over) direct-drive single-speed motor(s)
- High-efficiency discharge plenum with adjustable air foil vane (+/-20°)

### RECOMMENDED CONTROLS & ACCESSORIES

- Activation by 24V magnetic door switch
- Filter (washable)



## ► RBT | PERFORMANCE

### RBT | Performance Table

MODEL	Nozzle Width (in.)	Max. FPM at Nozzle	Avg. FPM	Max. CFM	CFM at Nozzle	Outlet Velocity Uniformity	Number of Motors	Motor HP	Weight (lbs)
RBT-1-36	36	4218	3695	2899	2541	95%	1	3/4	90
RBT-1-42	42	4218	3169	3384	2532	93%	1	3/4	97
RBT-1-48	48	4218	2771	3867	2559	92%	1	3/4	104
RBT-1-60	60	4218	2218	4374	2528	91%	1	3/4	117
RBT-2-60	60	4218	3315	5050	3812	95%	2	3/4	147
RBT-2-72	72	4218	3696	5803	5082	95%	2	3/4	169
RBT-2-84	84	4218	3169	6766	5063	93%	2	3/4	187
RBT-2-96	96	4218	2773	7732	5081	92%	2	3/4	203
RBT-3-108	108	4218	3702	8702	7623	95%	3	3/4	245
RBT-3-120	118	4218	3174	9668	7614	94%	3	3/4	274
RBT-3-132	133	4218	2792	10853	7589	95%	3	3/4	290
RBT-4-144	145	4218	3696	11606	10164	95%	4	3/4	338



For a unit over 12 feet long, consult factory.

### RBT | Sound Levels

Normal Speed

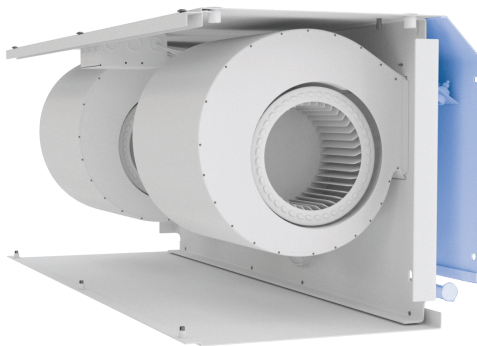
63 dBA

Measured 10 ft. from unit in a free field based on a 1 motor unit

### RBT | Amp Draw and Breaker Options

Model/Number of Motors	120V Amp Draw (Breaker size)	208-230V Amp Draw (Breaker size)	480V Amp Draw (Breaker size)	575V Amp Draw (Breaker size)
RBT-1-36, 42, 48, 60	8.0A (15)	3.6A (15)	**	**
RBT-2-72, 84, 96	16.0A (25)	7.2A (15)	**	**
RBT-3-108, 120, 132	24.0A (35)	10.8A (15)	**	**
RBT-4-144	32.0A (45)	14.4A (20)	**	**

\*\*A transformer will be required.



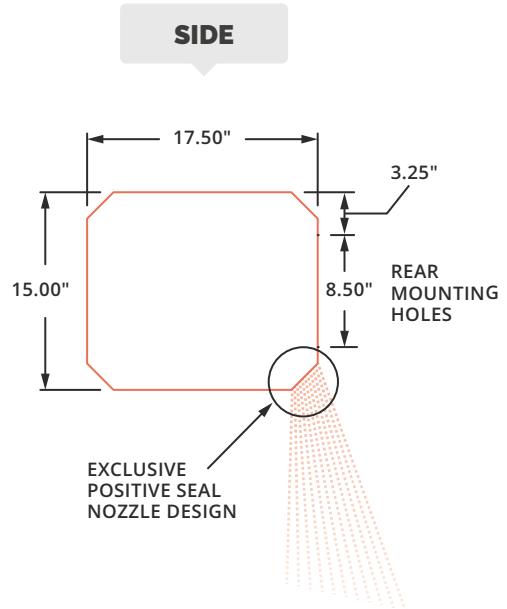
### Performance Highlight

Both important and perfect for insect control, the blowers are pointed toward the back of the air curtain. Here they fill a specially designed plenum. When the plenum is pressurized, the air is then forced out evenly across the entire length of the plenum discharge leaving no gaps in the curtain of air.

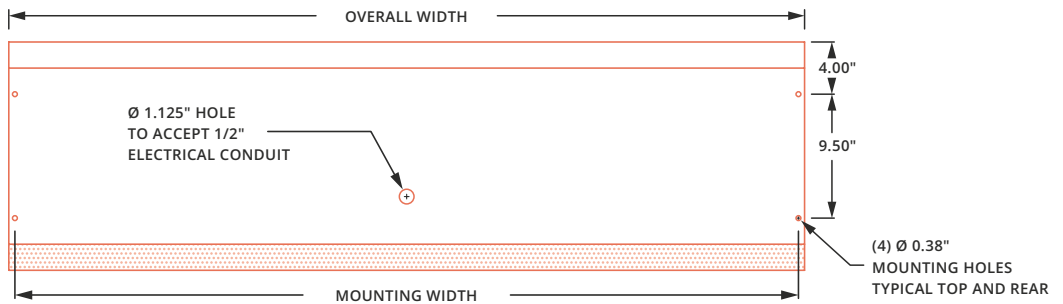
## ► RBT | MECHANICAL DETAILS & DRAWINGS

RBT | Mechanical Information Table

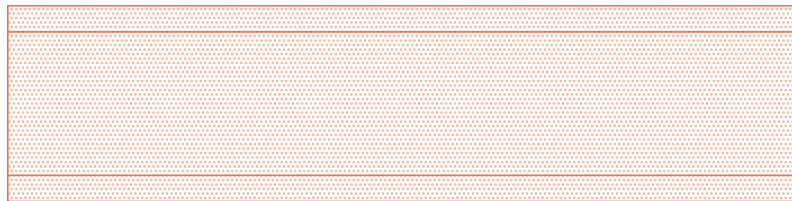
MODEL	Overall Width (in.)	Nozzle Width (in.)	Mounting Width (in.)
RBT-1-36	37	36	36.06
RBT-1-42	43	42	42.06
RBT-1-48	49	48	48.06
RBT-1-60	61	60	60.06
RBT-2-60	61	60	60.06
RBT-2-72	73	72	72.06
RBT-2-84	85	84	84.06
RBT-2-96	97	96	96.06
RBT-3-108	109	108	108.06
RBT-3-120	119	118	118.06
RBT-3-132	134	133	133.06
RBT-4-144	146	145	145.06



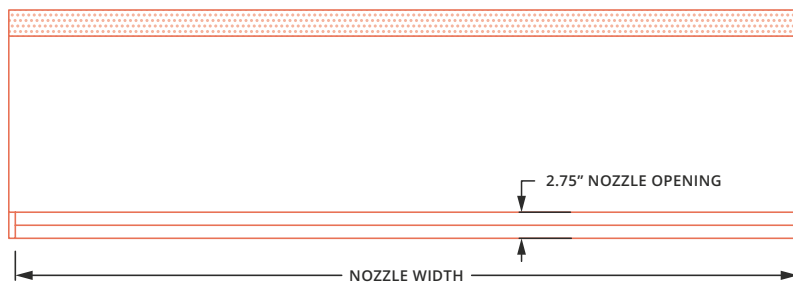
TOP



FRONT



BOTTOM



## ► RBT | INSTALLATION



### NOTE

NSF Sanitation certified for up to 7 ft. high openings. The air curtain should be mounted as close to the door header/opening as possible for maximum performance. For every one inch the bottom of the air curtain is mounted above the door header, the back side of the air curtain should be moved away from the wall ¼ inch.

### A WALL MOUNT

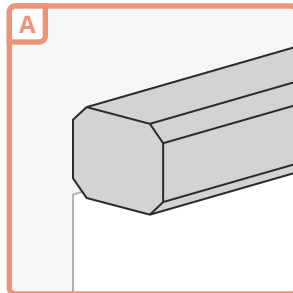
Back side of air curtain has 4 mounting holes capable of accepting four 3/8 mounting bolts or lags, with washers (use these holes only for mounting). Mark and pre-drill mounting surface accurately. A long extension and ratchet will negate the need to remove the motor-blower plate when installing.

Mounting bolts or lags of sufficient size and strength should be installed and tightened through the four 7/8 inch holes in motor/blower plate.

If motor/blower plate has to be removed, the junction box inside the unit must be removed along with any electrical switches that may be in the way.

The electrical switches have a lever that slides in one direction to release the switch contacts from the switch body. All wires will then stay intact for easy installation when replacing the blower plate.

Remove 7/16 whizlock nuts holding plate in place, and slide plate out, rotating top portion of plate so it comes out first. Remember when installing plate to put bottom of plate in first and rotate top in last.



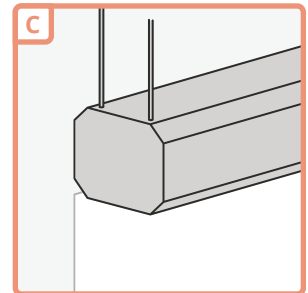
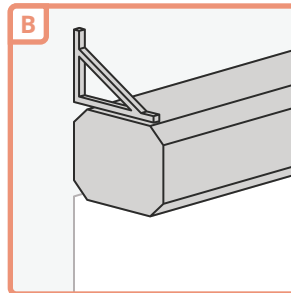
### B BRACKETS

Mounting brackets (also called knee, angle or L-brackets) can be flush to the wall or constructed to account for a projection from the wall. For proper size brackets measure standoff distance from wall to back of where air curtain will be.

### C TOP MOUNT

Unit has four 3/8- 16 threaded inserts for installing one end of threaded rods. The other ends of the threaded rods can be attached to the ceiling. Threaded rod should not extend more than 3/4 inch into air curtain.

\*Powered Aire does not supply threaded rods.



### MB123 QUICK MOUNTING PLATE

Optional Installation (See page 240 for more detail)

#### Step 1

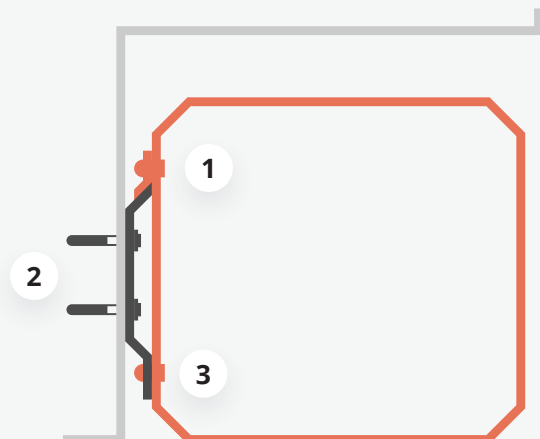
Attach top mounting bracket to back of air curtain using the upper mounting holes on back of unit.

#### Step 2

Attach the mounting bracket to the wall. Make sure there is sufficient room between mounting plate and ceiling to mount air curtain.

#### Step 3

Place air curtain over mounting bracket. The top and bottom brackets will lock into place supporting the weight of the air curtain. Attach the bottom bracket to the air curtain using the lower mounting holes.



**When mounted, bottom of air curtain is to be flush with bottom of the door header.**